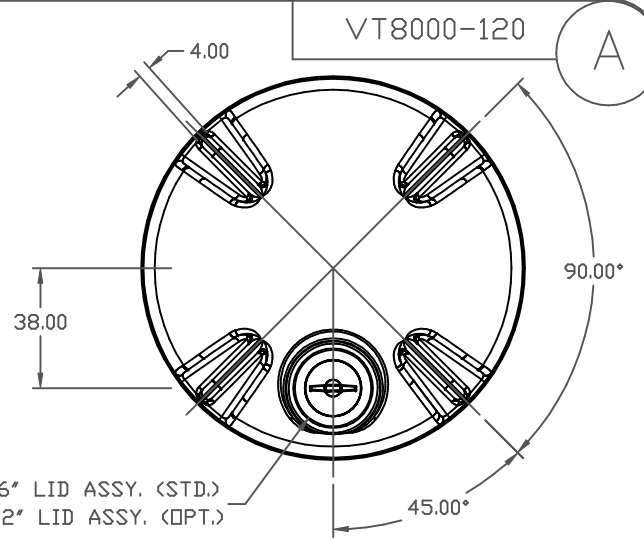
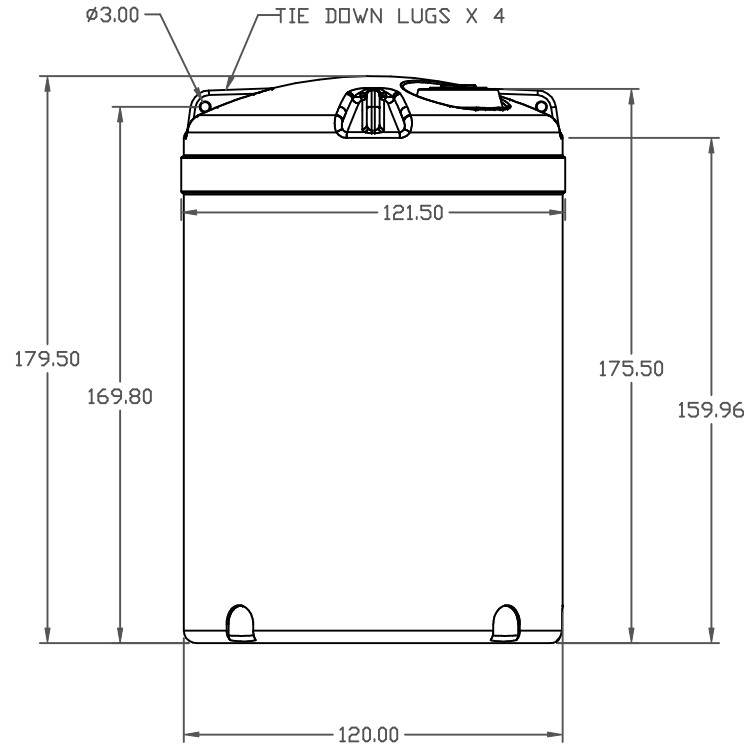
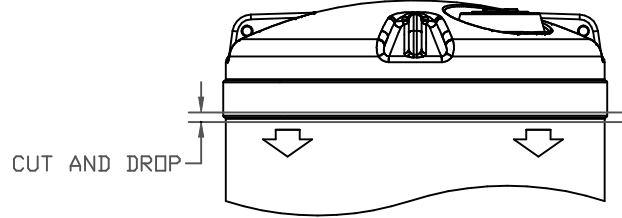
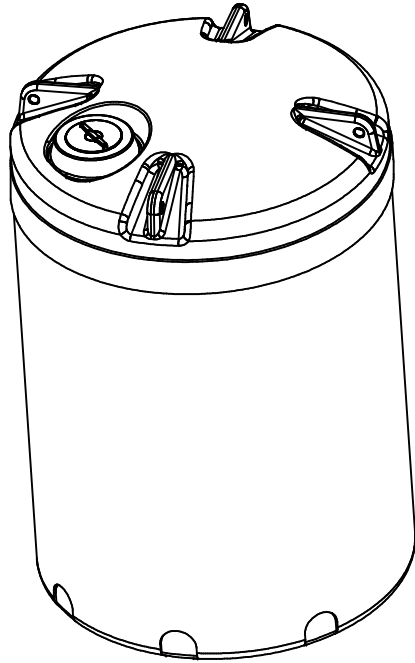


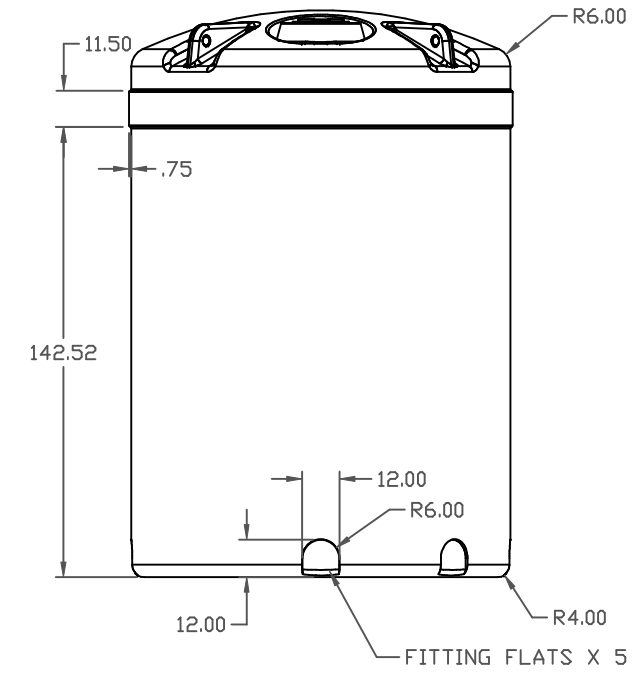
PROPRIETARY DATA

PROPERTY OF ACE ROTO-MOLD MFG., INC. INFORMATION FURNISHED HEREIN IS THE PROPERTY OF ACE ROTO-MOLD MFG., INC. AND SHALL NOT BE USED, DISCLOSED TO OTHERS, OR COPIED WITHOUT THE EXPRESSED WRITTEN CONSENT OF ACE ROTO-MOLD MFG., INC. ALL RIGHTS RESERVED.

TANK MAY BE CONVERTED FOR A BOLT- ON TOP. CUT TANK AS SHOWN. TANK CAN THEN BE USED IN APPLICATIONS REQUIRING A REMOVEABLE TOP.



16" LID ASSY. (STD.)
22" LID ASSY. (OPT.)

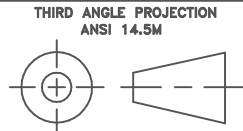


A	CHANGE PART #	12/12/06	APPRD. / DATE
REV	DESCRIPTION	DATE	APPRD.

DRAWN / DATE	MATERIAL / SHOT WEIGHT
DHJ 12/4/06	1930 LBS.
APPRD. / DATE	
ADH 11/20/07	

NOTES:

ALL DIMENSIONS ARE IN DECIMAL INCHES
TOLERANCES UNLESS OTHERWISE SPECIFIED
± .5% @ 68° F



Ace Roto-Mold
A DIVISION OF DEN HARTOG INDUSTRIES, INC.
4018 HWY. 60 BLVD., BOX 421, HOSPERS, IOWA 51238

CLIENT / DESCRIPTION
ACE 8000 GALLON TANK

SCALE
N.S.

PART NO. VT8000-120