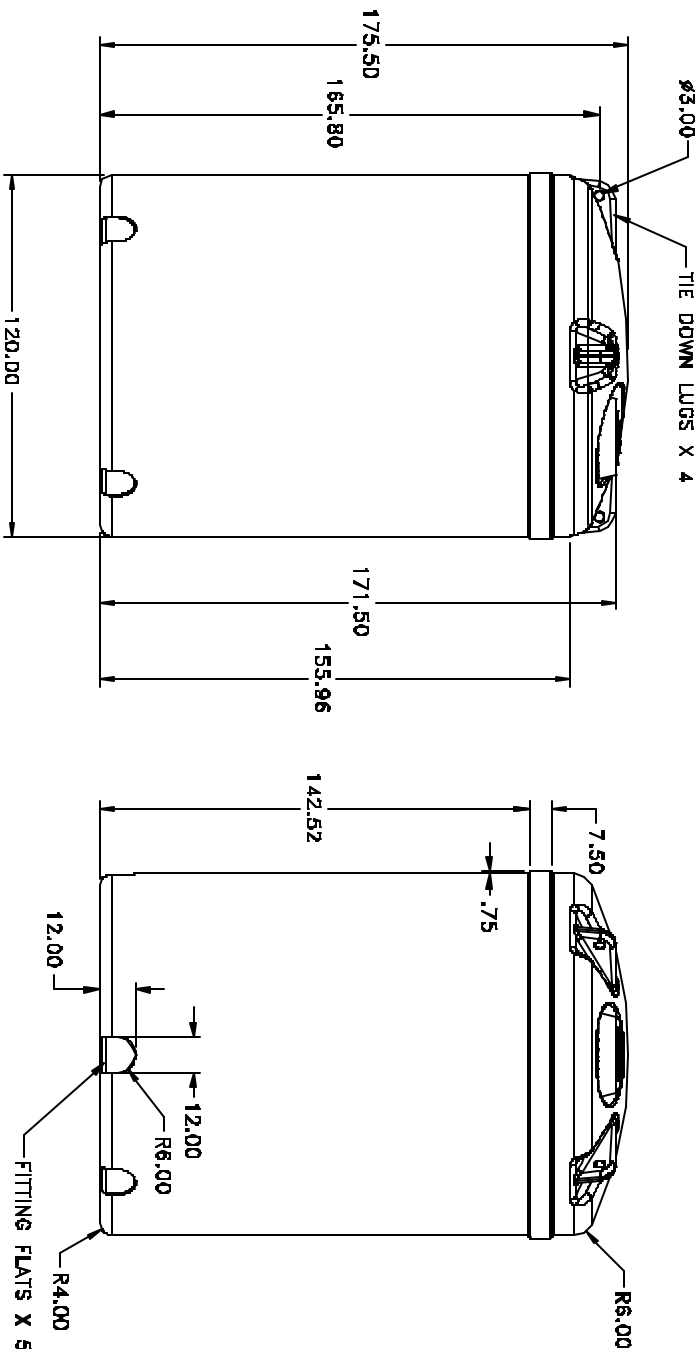
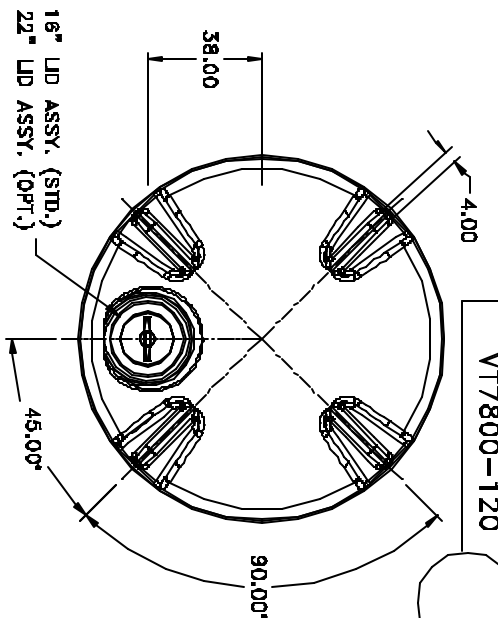
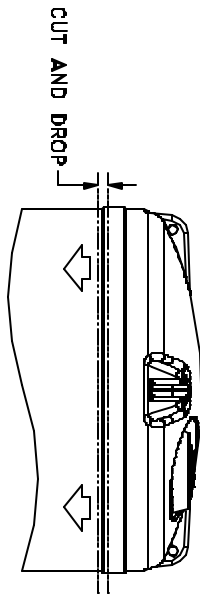
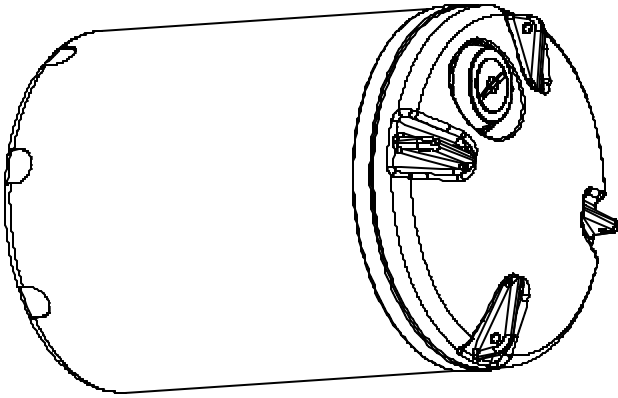


PROPRIETARY DATA

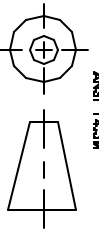
PROPERTY OF ACE ROTO-MOLD MFG., INC. INFORMATION FURNISHED HEREIN IS THE PROPERTY OF ACE ROTO-MOLD MFG., INC. AND SHALL NOT BE USED, DISCLOSED TO OTHERS, OR COPIED WITHOUT THE EXPRESSED WRITTEN CONSENT OF ACE ROTO-MOLD MFG., INC. ALL RIGHTS RESERVED.

TANK MAY BE CONVERTED FOR A BOLT-ON TOP, CUT TANK AS SHOWN, TANK CAN THEN BE USED IN APPLICATIONS REQUIRING A REMOVEABLE TOP.



DRAWN / DATE		REH/11/3/00	
APPRD. / DATE		REH/11/3/00	
REV	DESCRIPTION	DATE	APPRD.

THIRD ANGLE PROJECTION



MATERIAL / SHOT WEIGHT			
M111	M134	U625	P938
NOTES:			

ACE ROTO MOLD
 A DIVISION OF DEN HARTOG INDUSTRIES, INC.
 4010 HWY. 80 BLVD., HOSPERS, IOWA 51238

CLIENT / DESCRIPTION
 ACE 7800 GALLON TANK

ALL DIMENSIONS ARE IN DECIMAL INCHES
 TOLERANCES UNLESS OTHERWISE SPECIFIED
 + .5% @ 68° F

SCALE N.S. PART NO. VT7800-120