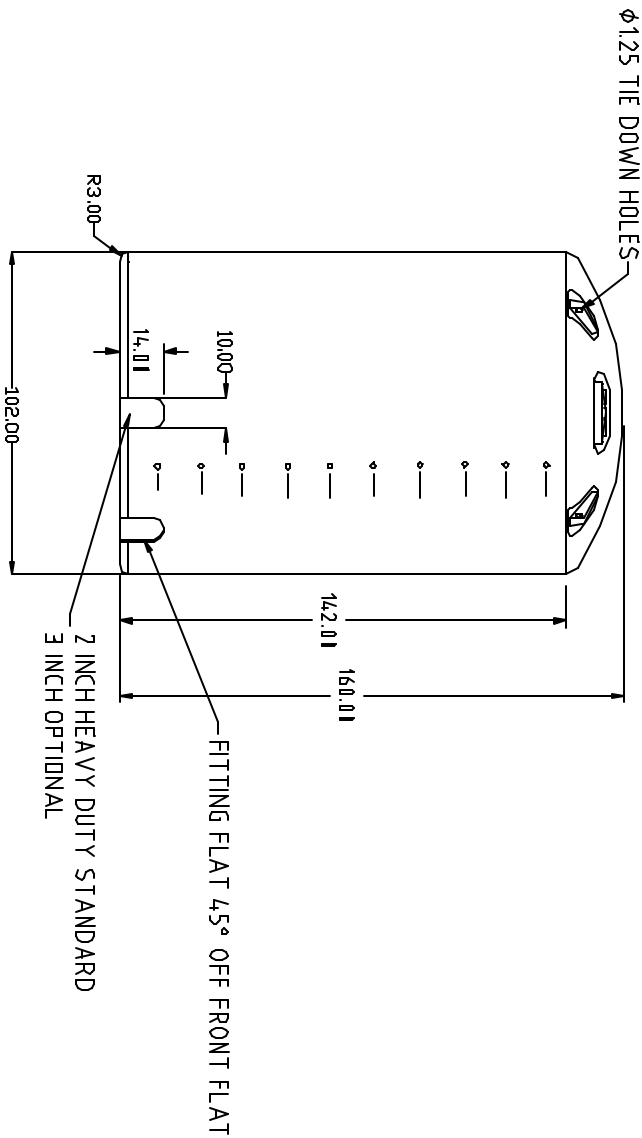
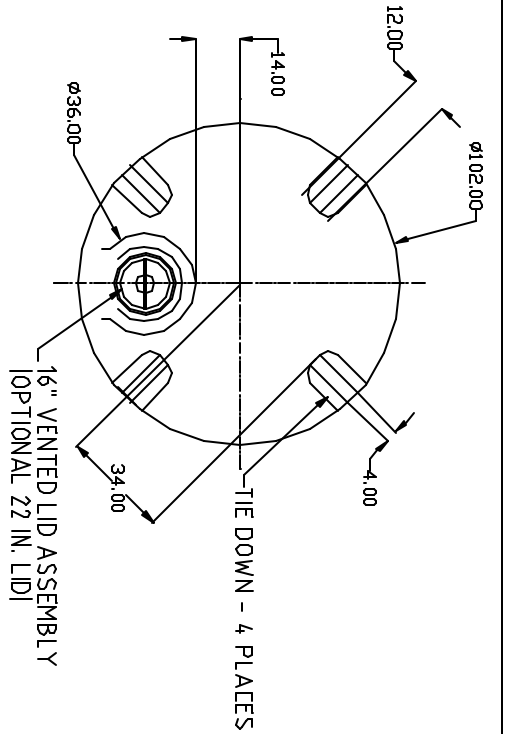


PROPRIETARY DATA

PROPERTY OF ACE ROTOMOLD MFG. INC. INFORMATION FURNISHED HEREIN IS THE PROPERTY OF ACE ROTOMOLD MFG. INC. AND SHALL NOT BE USED, DISCLOSED TO OTHERS, OR REPRODUCED WITHOUT THE EXPRESSED WRITTEN CONSENT OF ACE ROTOMOLD MFG. INC. ALL RIGHTS RESERVED.

VT5150-112

B

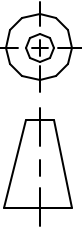


REV	DESCRIPTION	DATE	APPRD
B	ADD FITTINGS	9/31/03	
A	WAS 24"	9/31/03	

DRAWN / DATE  
EVAN 3/28/95

APPRD. / DATE  
NVE 8/31/15

THIRD ANGLE PROJECTION  
ANSI X3.11



MATERIAL

HDPE OR EQUIVALENT  
REPRODUCE MATERIAL DATA SHEET  
FOR SPECIFIC PROPERTIES.

NOTES:

- 1. BLUE, GREEN, YELLOW, WHITE, AND BLACK COLOR
- 2. SHOT WEIGHT 1350 LBS.
- 3. 0.741 WALL @ FITTING

CLIENT / DESCRIPTION

5150 GALLON VERTICAL TANK



SCALE

N.S.

PART NO.

VT5150-102

ALL DIMENSIONS ARE IN DECIMAL INCHES  
TOLERANCES UNLESS OTHERWISE SPECIFIED  
+ 1% @ 68° F