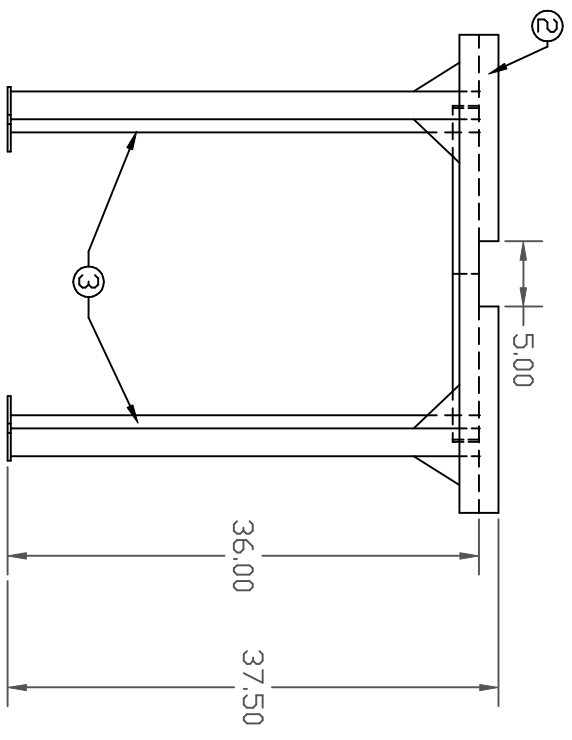
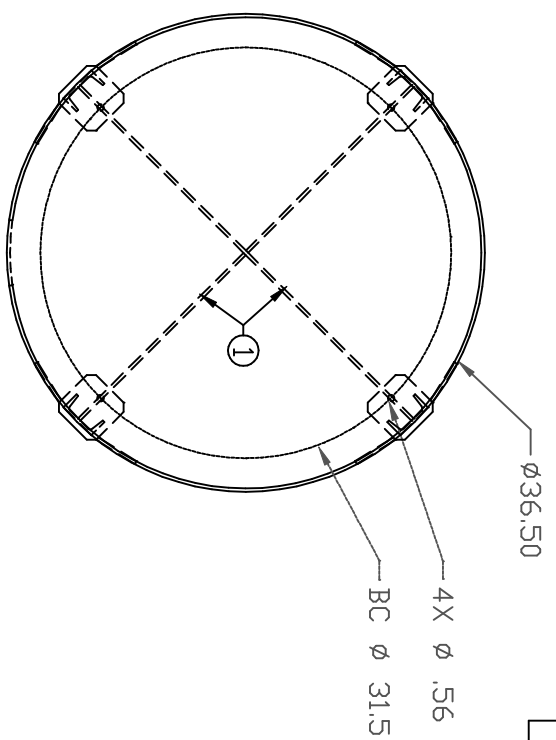
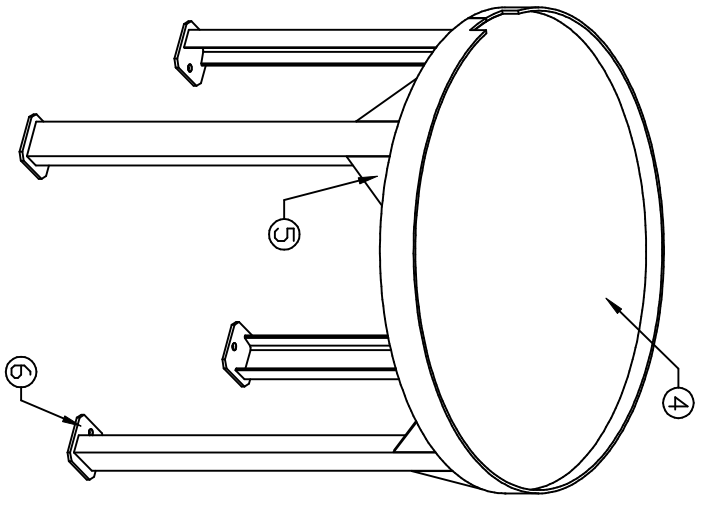


PROPRIETARY DATA

PROPERTY OF DEN HARTOG INDUSTRIES, INC. INFORMATION FURNISHED HEREIN IS THE PROPERTY OF DEN HARTOG INDUSTRIES, INC. AND SHALL NOT BE USED, DISCLOSED TO OTHERS, OR COPIED WITHOUT THE EXPRESSED WRITTEN CONSENT OF DEN HARTOG INDUSTRIES, INC. ALL RIGHTS RESERVED.

VT300-35ST

B



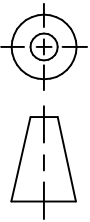
KEY	PART NUMBER	DESCRIPTION	QTY.
1	BD2500X20000	1/4 X 2 FLAT BAR	72.00 IN
2	BD2500X30000	1/4 X 3 FLAT BAR	120.00 IN
3	C03X42	3" CHANNEL	144.00 IN
4	S-14GA	14 GA SHEET	1096.00 SI
5	S-2500	1/4" MILD STEEL SHEET	64.00 SI
6	SJCB85/90ST-7	1/4" X 4" X 4" LEG PAD	4

REV	DESCRIPTION	DATE	APPRD	DRAWN / DATE
B	TOLERANCE WAS 1% @ 68° F	3/13/07	GWC	DHU 2/17/03
A	ADDED B.O.M. AND WELD DESC	7/17/06	NVE	APPRD / DATE

ALL DIMENSIONS ARE IN DECIMAL INCHES
TOLERANCES UNLESS OTHERWISE SPECIFIED

DECIMAL +/- .125"
FRACTION +/- 1/4"
ANGLE +/- 1°

THIRD ANGLE PROJECTION
ANSI 14.5M



MATERIAL

MILD STEEL

- NOTES:
1. POWDER COATED
 2. WEIGHT 114 LBS.

ACE ROTO-MOLD

A DIVISION OF DEN HARTOG INDUSTRIES, INC.
4018 HWY. 60 BLVD, BOX 425, HOSPER, IOWA 51238

CLIENT / DESCRIPTION
METAL STAND FOR 300 GALLON VERTICAL TANK

SCALE
N.S.

PART NO.
VT300-35ST