

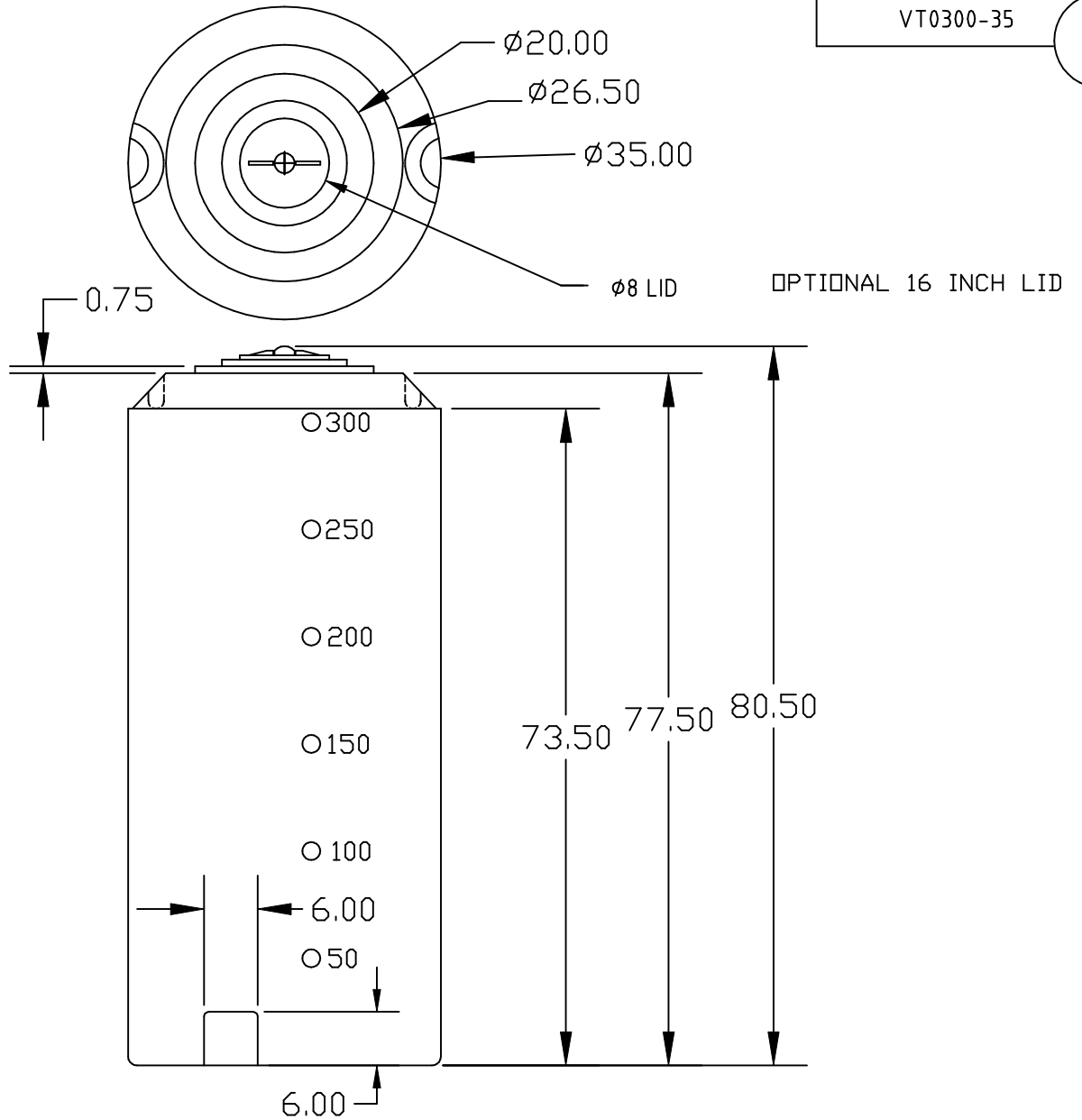
PROPRIETARY DATA


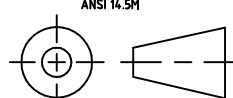
PROPERTY OF ACE ROTO-MOLD MFG., INC. INFORMATION FURNISHED HEREIN IS THE PROPERTY OF ACE ROTO-MOLD MFG., INC. AND SHALL NOT BE USED, DISCLOSED TO OTHERS, OR COPIED WITHOUT THE EXPRESSED WRITTEN CONSENT OF ACE ROTO-MOLD MFG., INC. ALL RIGHTS RESERVED.

VT0300-35

A

1. 1 PIECE ROTATIONALLY MOLDED
2. SPECIFIC GRAVITY 1.75
3. TRANSLUCENT
4. UV STABILIZED
5. FDA APPROVED RESIN
6. CALIBRATED IN GAL.
7. 3 YEAR WARRANTY
8. LARGER LID AVAILABLE



		DRAWN / DATE		MATERIAL		 ACE ROTO-MOLD A DIVISION OF DEN HARTOG INDUSTRIES, INC. 4018 HWY. 60 BLVD., BOX 421, HOSPERS, IOWA 51238	
		DHJ 12/10/93		HDPE OR EQUIVALENT REFERENCE MATERIAL DATA SHEET FOR SPECIFIC PROPERTIES.			
A	ADD TIE DOWNS	3-5	03	APPRD. / DATE	CLIENT / DESCRIPTION		
REV	DESCRIPTION	DATE	APPRD	ADH 11/19/07			
ALL DIMENSIONS ARE IN DECIMAL INCHES TOLERANCES UNLESS OTHERWISE SPECIFIED \pm 1% @ 68° F				THIRD ANGLE PROJECTION ANSI 14.5M 		NOTES: 1. BLUE, GREEN, WHITE YELLOW, GREY, OR BLACK COLOR 2. SHOT WEIGHT 86 LBS. 3. .240 NOM. WALL	
				SCALE		PART NO.	
				N.S.		VT0300-35	