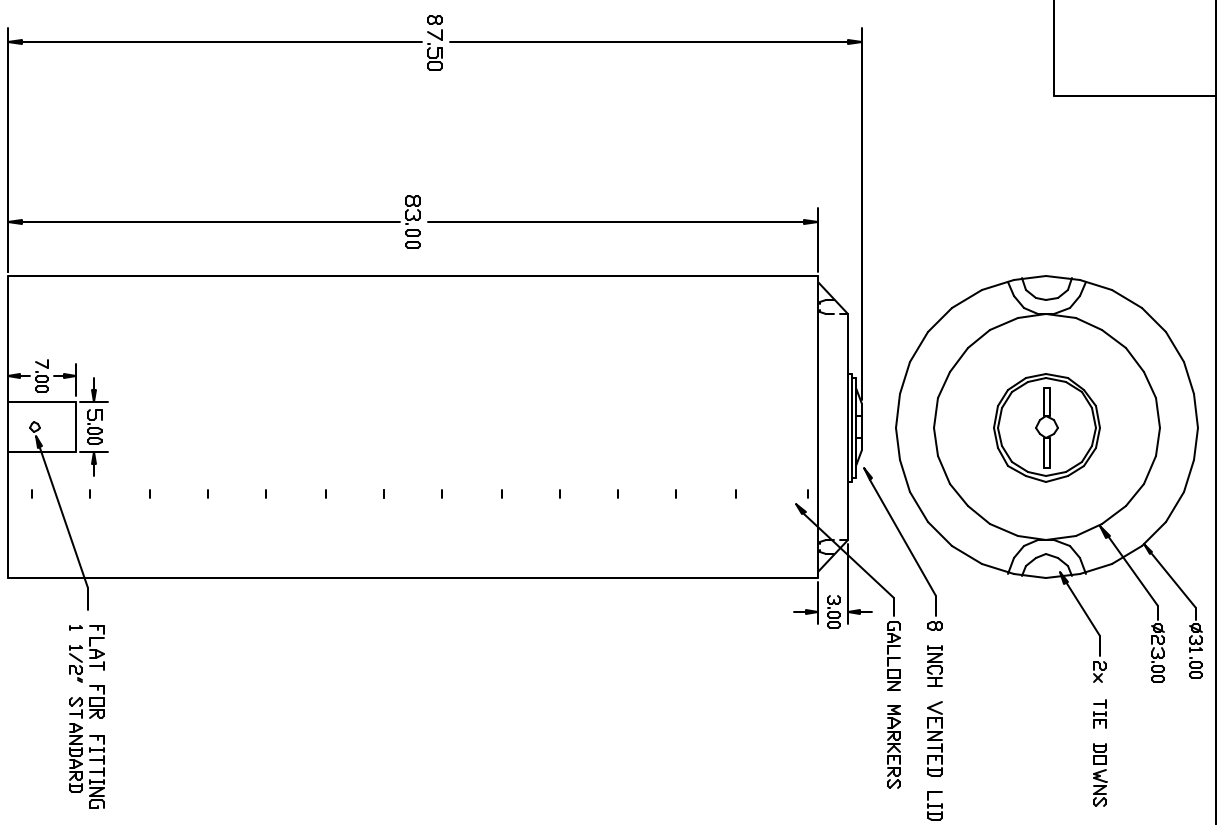


PROPRIETARY DATA

PROPERTY OF ACE ROTO-MOLD MFG. NC. INFORMATION FURNISHED HEREIN IS THE PROPERTY OF ACE ROTO-MOLD MFG., INC. AND SHALL NOT BE USED, DISCLOSED TO OTHERS, OR COPIED WITHOUT THE EXPRESSED WRITTEN CONSENT OF ACE ROTO-MOLD MFG., INC. ALL RIGHTS RESERVED.

VT0265-31



DRAWN / DATE	DHJ 5/3/04
APPRD. / DATE	
REV	
DESCRIPTION	DATE APPRD.

**MATERIAL / SHOT WEIGHT**  
 POL YETHYLENE  
 74 LBS.

**CLIENT / DESCRIPTION**  
 265 GALLON VERTICAL TANK

**THIRD ANGLE PROJECTION**  
 ANSI 14.5M

**NOTES:**  
 1. NDM, WALL .250  
 2. YELLOW, BLUE, BLACK  
 OR WHITE COLOR  
 3. OPTIONAL 16 INCH LID

**SCALE**  
 NONE

**PART NO.**  
 VT0265-31

ALL DIMENSIONS ARE IN DECIMAL INCHES  
 TOLERANCES UNLESS OTHERWISE SPECIFIED  
 ± 1% @ 68° F

**Ace Roto-Mold**  
 A DIVISION OF DEN HARTOG INDUSTRIES, INC.