

Plunger Pumps

FEATURING

MANIFOLD: High strength forged brass or nickel plated for long term use.

BOLTS: Eight 10mm grade 8.8.

PLUNGERS: A special ultra thick solid ceramic for long life, strong durability and more resilience retaining bolts.

CRANKCASE: Precision die-cast, large cooling fins and anodized for maximum heat dissipation. Bayonet style sight glass located in the rear and side cover, fill and side and bottom drain plugs.

BEARINGS: Oversized premium SKF tapered roller bearing for maximum life and load disbursement.

BEARINGS SUPPORTS: Precision die-cast and machined to assure concentricity and alignment.

VALVES, SEATS, AND SPRINGS: Stainless steel with specially designed Ultra Form cages to provide long life and positive seating. O-Ring and back-up ring provide longer life and better performance at high pressure.

SEALS AND U-PACKINGS: Continuously lubricating for extended life. Triple lip oil seal for assured crankcase seal.

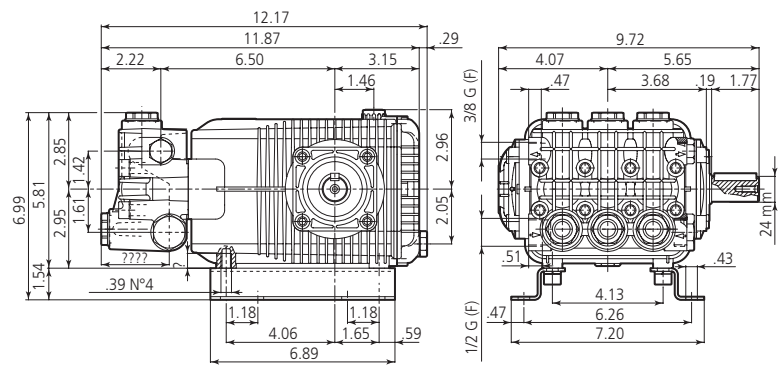
PLUNGER RODS: High strength stainless steel, for heavy duty use.

CONNECTING RODS: Two-piece special alloy aluminum based material, oversized for maximum strength, load disbursement, and long life. Heavy pin area construction, for added load strength.

DIMENSIONS



SXW N version Solid shaft pump ø 24 mm



SPECIFICATIONS

MODEL	MAX GPM	MAX LMP	MAX PSI	MAX BAR	POWER EBHP	BORE DIA MM	STROKE MM	CRANKSHAFT ID STAMP	WEIGHT LBS.
SXW15.35	3.96	15	5100	350	15	18	15.0	8	35
SXW21.35	5.55	21	5100	350	20	18	21.0	7	35

Oil Capacity = 32oz

Maximum Fluid Temperature = 140° F

Inlet Thread = 1/2" F

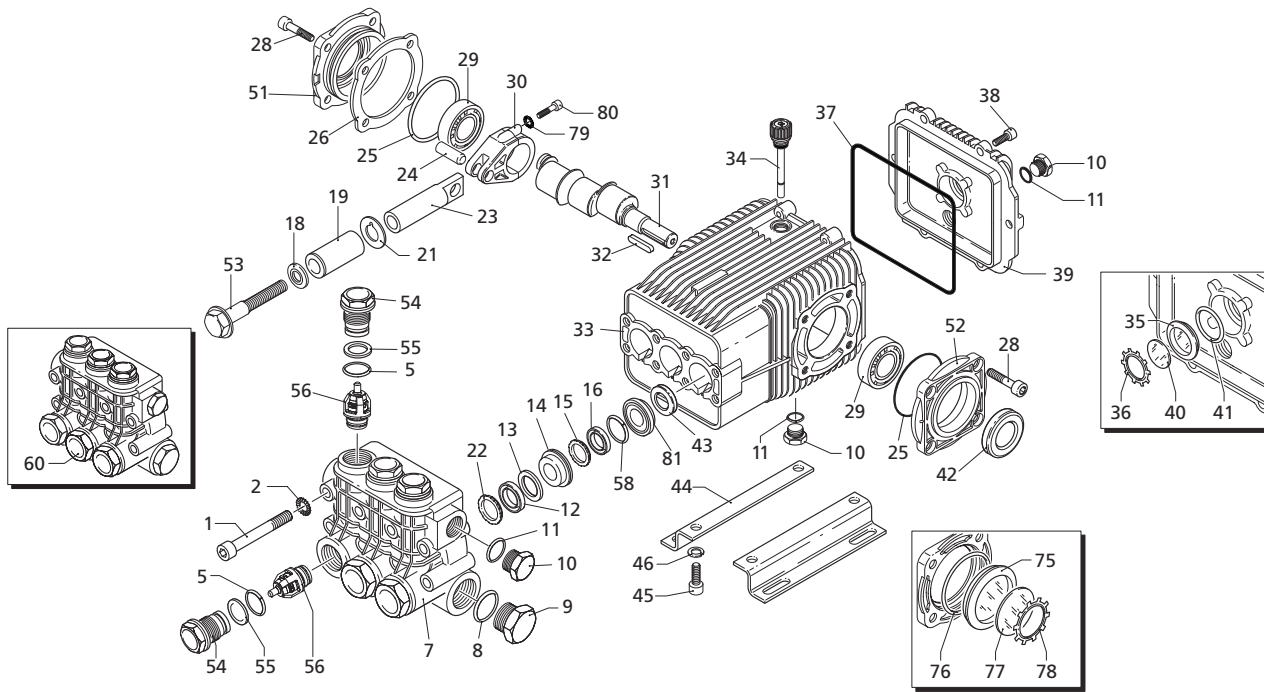
Discharge Thread = 3/8" F

Torque Specifications Inch pounds (ft. lbs)

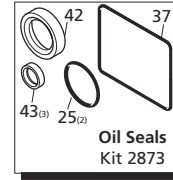
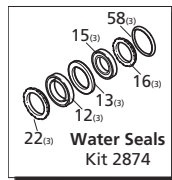
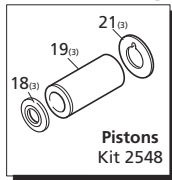
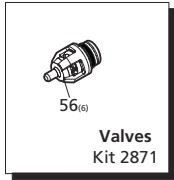
HEAD	PISTON NUT	REAR COVER	SIDE COVER	VALVE CAP	CON RODS
442 (37)	62 (5.2)	92 (7.7)	217 (18)	531 (44)	89 (7.5)

SPECIAL NOTE: Use AR64516 Oil. First change oil after 50 hours of use. Then every 500 hours. This oil is specially formulated to provide correct lubrication properties for our pumps. **No** other oil is factory approved for these pumps.





Repair Kits



Special Parts / Kits

Code	Description	Qty.
2748	Rail kit 1-1/4" - 2 Rails - 4 Bolts - 4 Washers	1

Pos	Code	Description	Qty.	Pos	Code	Description	Qty.
1	1940260	Head bolt M10x80	(442 in/lbs) 8	40	1780690	Sight glass back cover	1
2	650530	Washer	8	41	1140450	O-Ring ø20.24x2.62	1
5	880830	O-Ring ø15.54x2.62	6	42	820680	Seal	1
7	1940930	Pump head	1	43	1940560	Oil seal	3
8	180101	O-Ring ø17.5x2	1	44	1940370	Base 1-1/4"	2
9	820361	Plug 1/2" G	1	45	1940380	Bolt M10x18	4
10	1980740	Plug 3/8" G	3	46	200231	Washer	4
11	740290	O-Ring ø14x1.78	3	51	1949011	Side cover w/sight glass	1
12	1941200	High pressure packing	3	52	1941240	Open bearing support	1
13	1941050	Support ring	3	53	1940920	Piston-fixing screw	(62 in/lbs) 3
14	1942470	Piston guide	3	54	1940940	Valve cap	(531 in/lbs) 6
15	1941350	Support ring	3	55	1941070	Back-up ring	6
16	1941340	Low pressure seal	3	56	1949051	Complete valve	6
18	1340600	Washer - Copper	3	58	820490	O-Ring ø34.65x1.78	3
19	1941020	Piston	3	75	1941270	Oil sight glass	1
21	1383190	Slinger	3	76	100410	O-Ring ø34.6x2.62	1
22	1941190	Support ring	3	77	1941260	Contrast disc	1
23	1940960	Guiding piston	3	78	1941290	Seal	1
24	1940060	Con-rod pin	3	79	1380510	Con-rod bolt	6
25	1941380	O-Ring ø66.34x2.62	2	80	1381550	Lockwasher	6
26	1941390	Shim 0.05 mm	1-3	81	1942480	Piston guide	3
26	1941400	Shim 0.10 mm	1-3				
26	1941410	Shim 0.19 mm	1-3				
26	1941420	Shim 0.25 mm	1-3				
28	850370	Bolt M 8x16	(217 in/lbs) 8				
29	1140410	Bearing	2				
30	1940050	Con rod	(89 in/lbs) 3				
31	1940980	Crankshaft 24mm	• 1				
31	1940970	Crankshaft 24mm	○ 1				
32	650250	Key	1				
33	1941330	Pump housing	1				
34	1140370	Oil cap	1				
35	1260250	Oil sight glass	1				
36	1260430	Snap ring	1				
37	1940410	O-Ring ø132x3	1				
38	1200430	Bolt M6x16	6				
39	1949010	Complete cover	1				

AR64516 Oil 2
OIL CAPACITY - 32 OZ

Legend

ø 18	ø 18
For ●	For ○
SXW15.35	SXW21.35

