

# Axial Radial Drive Pumps

## FEATURING

**MANIFOLD: Forged Brass:** Strength and no porosity - long life. Higher hydrostatic pressures - safety.

**BOLTS:** Three 6mm cadmium plated steel

**UNLOADER:** Integral trap pressure, fixed chemical injector. Simple repair using a cartridge replacement kit.

**CRANKCASE:** Precision die-cast, with cooling fins for maximum heat dissipation. The housing retains the crankshaft bearing, oil seal and rear wobble plate bearing support washer. **Crankshaft/Wobble Plate:** Precision die-cast to assure proper stroke, duration and alignment.

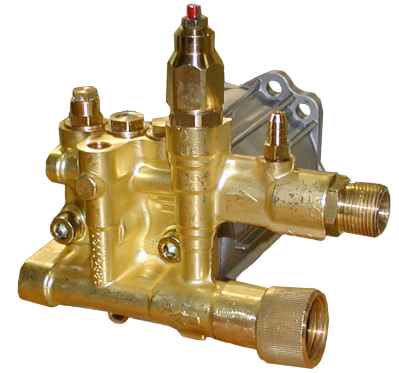
**BEARINGS:** Oversized ball bearing stabilizes the crankshaft and one needle style thrust bearing absorbs the plunger load and assures long radial plate life.

**VALVES, SEATS, AND SPRINGS: Ultra Form Cages:** Durable, strong, and long life. **Poppets and Spring:** 303 series stainless steel. **Valve Seat:** Brass with an external sealing o-ring on both inlet and discharge valves. **Valve Caps:** Machined brass for greater strength.

**PACKING AND PLUNGERS:** Dual seal system. **High Pressure Packing and Low-Pressure Seals:** "U" cup double lip Buna-N for a good positive seat. **Support and Guides:** Special anti-wear plastic, 1-piece construction to assure proper plunger alignment, maximize packing and seal life and prevent plunger wear and damage. **Plungers:** Solid hardened stainless steel, strong and durable.

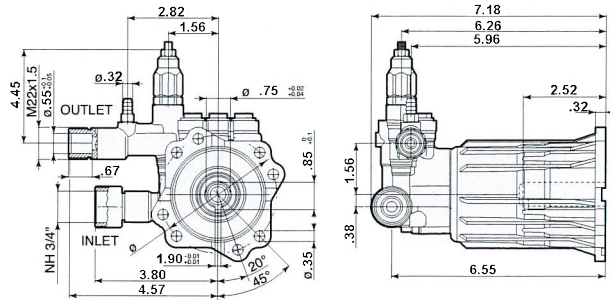
**OIL SEALS AND O-RINGS:** All are constructed of Buna-N rubber. The oil seals have stainless steel garter springs to assure constant tension on the sealing surface.

## DIMENSIONS



RMV

D version  
Hollow shaft pump  $\varnothing$  3/4"



**INCLUDES:**

- OUTLET: 22mm-M / 14mm
- INLET: Garden Hose Thread with Filter
- Fixed chemical injector with 1/8" barb fitting for installation of (DETHOSE-FIL4)
- 1/4" Female inlet port open (red plastic plugged) for Thermal Relief Valve (TPP140-1/4) installation

PALLET QUANTITIES: 200

## SPECIFICATIONS

MODEL	MAX GPM	MAX LMP	MAX PSI	MAX BAR	POWER EBHP	BORE DIA MM	STROKE MM	CRANKSHAFT ID STAMP	WEIGHT LBS.
RMV2G20	2	7.6	2000	138	2.7	12	7.9	6	5.1
RMV2G23B	2	7.6	2300	159	3.2	12	8.3	5	5.1
RMV2G25	2	7.6	2500	172	3.4	12	8.3	5	7.5
RMV2.5G20	2.5	9.5	2000	138	3.4	12	9.7	1	5.1
RMV2.5G23B	2.5	9.5	2300	159	3.9	12	9.7	1	5.1
RMV2.5G25	2.5	9.5	2500	172	4.3	12	9.7	1	7.5

Oil Capacity = 3.5oz

Maximum Fluid Temperature = 140° F

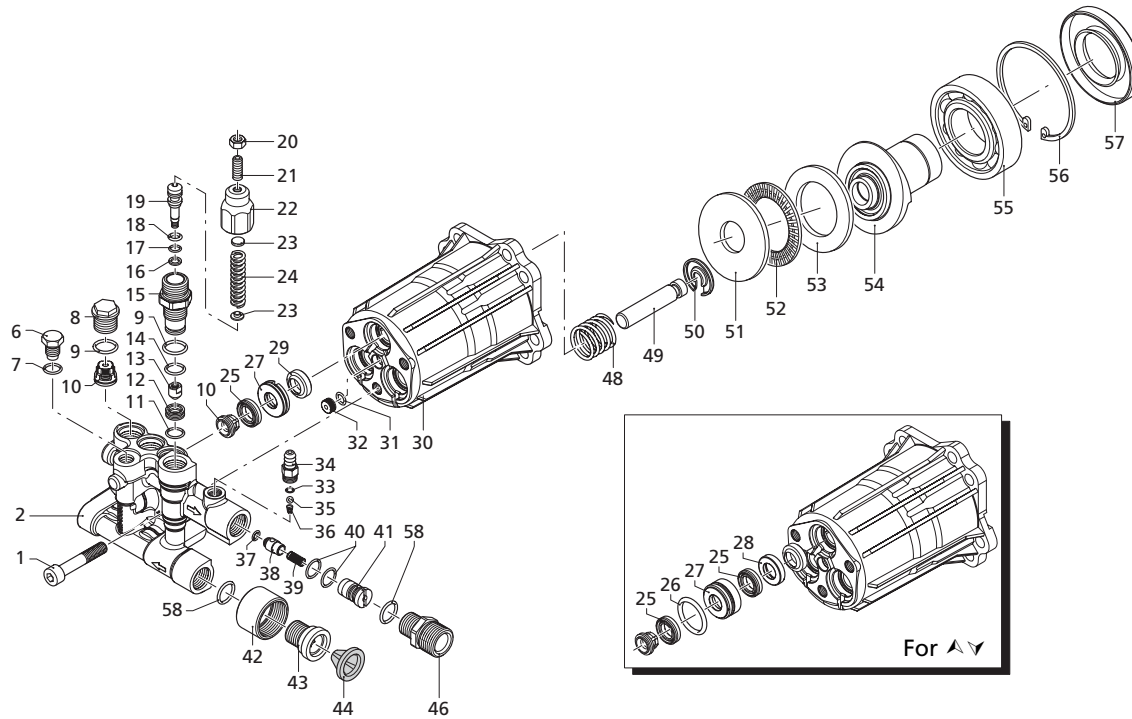
Inlet Thread = 3/4" GH

Discharge Thread = 22mm

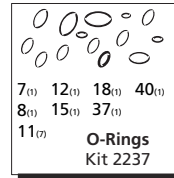
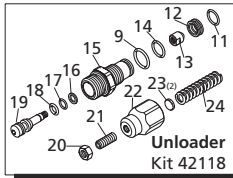
**Torque Specifications** Inch pounds (ft. lbs)

HEAD	PISTON NUT	REAR COVER	SIDE COVER	VALVE CAP	CON RODS
221 (19)	N/A	228 (19)	N/A	221 (19)	N/A

**SPECIAL NOTE:** Use AR64516 Oil. First change oil after 50 hours of use. Then every 500 hours. This oil is specially formulated to provide correct lubrication properties for our pumps. **No** other oil is factory approved for these pumps.



**Repair Kits**



Pos	Code	Description	Qty.	Pos	Code	Description	Qty.	Legend			
1	800220	Head bolt M8x45	(221 in/lbs) 3	39	1343580	Spring	1	∅ 12	∅ 12	∅ 12	∅ 12
2	2840860	Pump head	○●▽ 1	40	800560	O-Ring ∅8.73x1.78	2	For ○	For ●	For □	For ■
3	2840870	Pump head	□■▲ 1	41	2840340	Detergent injector	1	RMV2G20	RMV2.5G20	RMV2G23B	RMV2.5G23B
7	2840470	Grub screw M10x14	1	42	2840270	Suction fitting 3/4" NH	1				
8	2840130	Plug	(221 in/lbs) 3	43	2840390	Suction fitting	1	For ▲	For ▼		
9	740290	O-Ring ∅14x1.7	4	44	1266330	Filter	1	RMV2G25	RMV2.5G25		
10	2849050	Complete valve	6	46	2840400	Outlet fitting	1				
11	1470210	O-Ring ∅9x1	1	48	2840060	Spring	3				
12	2840770	Seat	1	49	2840530	Piston	3				
13	2840760	By-pass jet	1	50	2840050	Ring	3				
14	820510	O-Ring ∅10.82x1.78	1	51	1980130	Thrust washer	1				
15	2840750	Piston guide	1	52	1980250	Bushing	1				
16	2760210	Ring	1	53	1980240	Thrust washer	1				
17	660190	O-Ring ∅6.07x1.78	1	54	2840900	Hollow shaft	○□▲ 1				
18	2260100	O-Ring ∅6.02x2.62	1	54	2840730	Hollow shaft	●■▼ 1				
19	2760400	Piston	1	55	161060	Bearing	1				
20	1980300	Nut M6	1	56	161050	Circlip ∅172	1				
21	392840	Grub screw M6x16	1	57	2840310	Seal	1				
22	2760480	Handle insert	1	58	2840890	O-Ring ∅14x2	2				
23	1980220	Plate spring	2		AR64545	Oil	1				
24	2760410	Spring	1			<i>OIL CAPACITY - 3.5 oz</i>					
25	2200141	Gasket	6								
26	770590	O-Ring ∅23.52x1.78	▲▼ 3								
27	2840561	Bushing	○□ 3								
28	2840090	Bushing	●■ 3								
28	2840550	Bushing	▲▼ 3								
28	2840540	Bushing	▲▼ 3								
29	1683500	Seal	3								
30	2840230	Housing	1								
31	480560	O-Ring ∅6.75x1.78	1								
32	2840710	Oil plug	1								
33	480480	O-Ring ∅4.48x1.78	2								
34	1982520	Hose nipple	1								
35	1250280	Ball	1								
36	1560520	Spring	1								
37	1460430	O-Ring ∅4x2.5	1								
38	2840350	Jet	1								