

# Stainless Steel Pumps

## FEATURING

**MANIFOLD:** High strength 316L Stainless Steel to insure long term use.

**BOLTS:** 304L stainless steel.

**PLUNGERS:** A special ultra thick solid ceramic for long life, strong durability and more resilience.

**CRANKCASE:** Precision die-cast, large cooling fins and special anticorrosion finish. Both side and rear cover sight glass.

**BEARINGS:** Premium SKF tapered roller bearings that provide extra load support, smoother and lower crankcase running temperatures and over all extended pump life.

**VALVES, SEATS, AND SPRINGS:** Stainless steel with specially designed cages to provide seating and extended valve life.

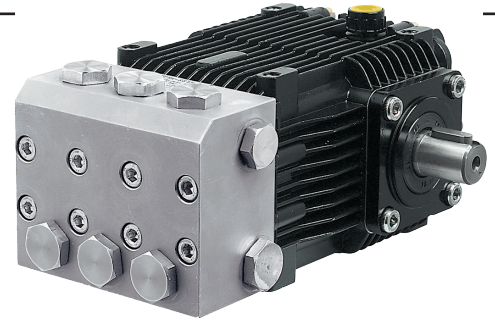
**SEALS AND V-PACKINGS:** Viton are continuously lubricating for extended life. SPL plunger retainers.

**OIL SEALS:** Triple lipped and spring loaded for greater durability and extended life..

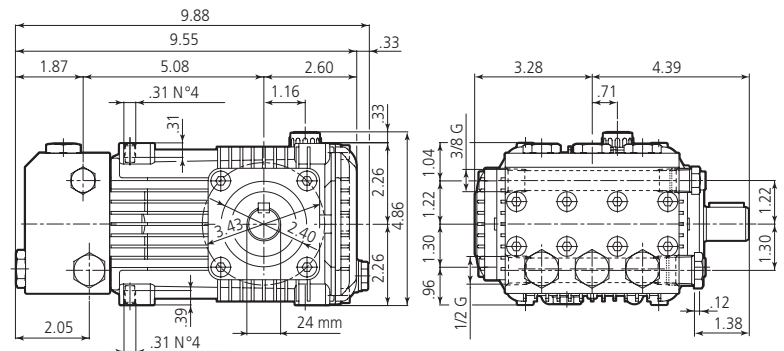
**PLUNGER RODS:** High strength stainless steel.

**CONNECTING RODS:** One piece special alloy bronze for higher pressures, oversized for maximum strength, load disbursement, and long life. Heavy pin area construction.

## DIMENSIONS



RK-SS N version Solid shaft pump ø 24 mm



## SPECIFICATIONS

MODEL	MAX GPM	MAX LMP	MAX PSI	MAX BAR	POWER EBHP	BORE DIA MM	STROKE MM	CRANKSHAFT ID STAMP	WEIGHT LBS.
RK-SS11.11N	2.9	11	1600	110	3.0	18	10.8	5	22
RK-SS13.17N	3.43	13	2500	170	5.5	18	12.8	3	22
RK-SS15.15N	3.96	15	2200	150	5.5	18	14.6	1	22

Oil Capacity = 15.3 oz

Maximum Fluid Temperature = 140° F

Inlet Thread = 1/2" F

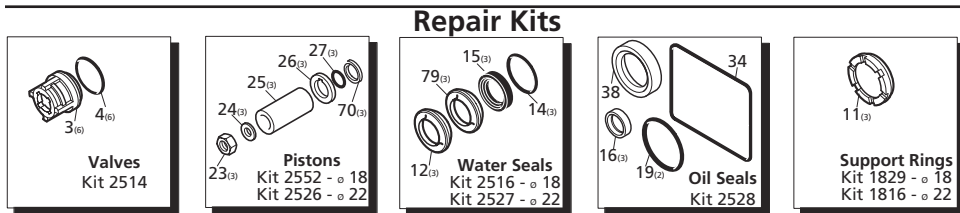
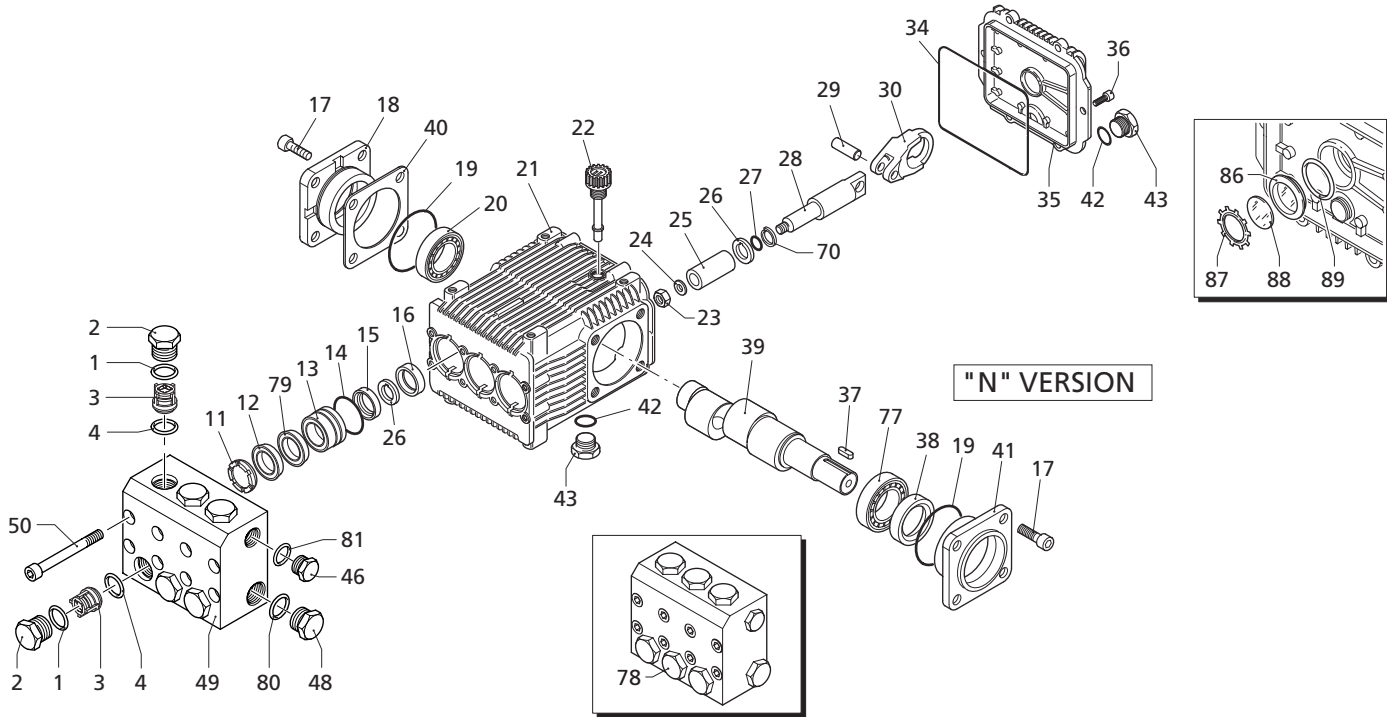
Discharge Thread = 3/8" F

### Torque Specifications Inch pounds (ft. lbs)

HEAD	PISTON NUT	REAR COVER	SIDE COVER	VALVE CAP	CON RODS
177 (15)	89 (7.5)	62 (5.2)	177 (15)	442 (37)	N/A

**SPECIAL NOTE:** Use AR64516 Oil. First change oil after 50 hours of use. Then every 500 hours. This oil is specially formulated to provide correct lubrication properties for our pumps. **No** other oil is factory approved for these pumps.





Special Parts / Kits

Code	Description	Qty.
1837	Rail kit 5/8" - 2 Rails - 4 Bolts	1
2633	Rail kit 1-3/4" - 2 Rails - 4 Bolts	1
2633H	Rail kit 2-5/8" - 2 Rails - 4 Bolts	1

Pos	Code	Description	Qty.	Pos	Code	Description	Qty.
1	960161	O-Ring ø7.86x2.62	6	39	2280100	Crankshaft 24mm	1
2	2340030	Valve cap (478 in/lbs)	6	40	2280080	Crankshaft 24mm	1
3	960850T	Valve cap 1/4" threaded - SS (478 in/lbs)	1	41	2280060	Crankshaft 24mm	1
4	2349050	Complete valve	6	42	1382810	Shim 0.05 mm	1-3
11	880831	O-Ring ø15.54x2.62	6	43	1380120	Shim 0.10 mm	1-3
12	960110	Support ring	3	44	1380130	Shim 0.20 mm	1-3
13	840320	Support ring	3	45	1380530	Shim 0.25 mm	1-3
14	880321	Seal	3	46	2340280	Open bearing support	1
15	840331	High pressure packing	3	47	740290	O-Ring ø14x1.78	2
16	2340140	Front piston guide	3	48	2340350	Plug 3/8" G	2
17	2340160	Front piston guide	3	49	2340050	Plug NPT	1
18	961241	O-Ring ø31.47x1.78	3	50	2340350	Plug 3/8" G	1
19	880331	Gasket	3	77	2340360	Plug G	1
20	840341	Low pressure seal	3	78	2340370	Pump head G	1
21	1383130	Oil seal	3	79	2340340	Pump head g	1
22	2340240	Bolt M8x16 (217 in/lbs)	8	80	1383440	Head bolt M8x70 (217 in/lbs)	8
23	2349011	Side cover w/sight glass	1	70	2340190	Ring	3
24	640030	O-Ring ø59.99x2.62	2	71	840370	Bearing	1
25	2280240	Bearing	1	72	2349200	Complete pump head	1
26	2340260	Pump housing	1	73	2349203	Complete pump head	1
27	880130	Oil cap	1	74	2349205	Complete pump head	1
28	2340060	Nut (106 in/lbs)	3	75	2340310	Back-up ring	3
29	2340200	Washer	3	76	2340330	Back-up ring	3
30	1383230	Ceramic piston	3	80	180102	O-Ring ø17.5x2 G	1
31	1383340	Ceramic piston	3	81	740291	O-Ring ø14x1.78 G	1
32	2340110	Rear piston guide	3	86	1260250	Oil sight glass	1
33	2340130	Rear piston guide	3	87	1260430	Snap ring	1
34	480482	O-Ring ø4.48x1.78	3	88	1780690	Contrast disc	1
35	2340070	Guiding piston	3	89	1140450	O-Ring ø20.24x2.62	1
36	1380060	Piston pin	3		AR64516	Oil	1
37	1383020	Con rod - Bronze	3			OIL CAPACITY - 15 OZ	
38	1780510	O-Ring ø106x3	1				
	2349010	Complete rear cover	1				
	2340250	Bolt M6x14 (89 in/lbs)	6				
	1380520	Key	1				
	180340	Oil seal	1				

Legend			
○ 18	□ 18	□ 18	● 22
For ○ RK-SS11.11	For □ RK-SS13.17	For □ RK-SS15.15	For ● RK-SS21.15

