



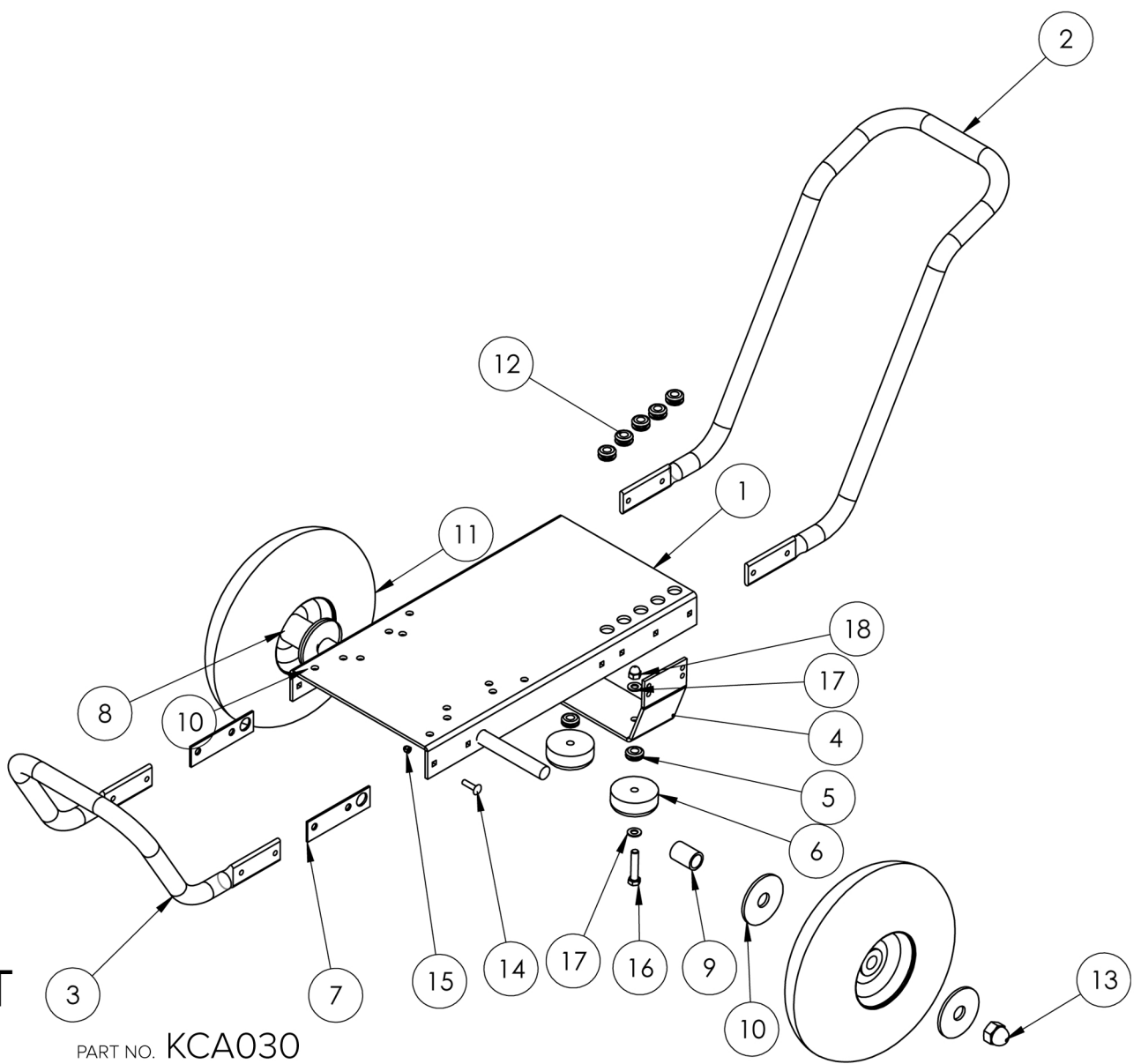
CART KIT MANUAL
part# KCA030



CART KIT

ALUMINUM

PART NO. KCA030



ITEM NO.	PART NUMBER	DESCRIPTION	QTY.
1	1431D	BASE, ALUMINUM DD (10X20)	1
2	1418	HANDLE, LONG, DOUBLE BEND	1
3	1434D	HANDLE, SHORT (FOR1431)	1
4	1467D	FOOT BRACKET FOR UAD/CD	1
5	2860	GROMMET, BLACK FOR 1/8 METAL	2
6	613	2-1/2" RUBBER FOOT	2
7	1463	AXLE SUPPORT	2
8	PAX050T	AXLE, 19.50", THREADED, CD&UAD	1
9	PPAX001	AXLE SPACER	2
10	101 075 000 100	SAE FLAT WASHER, 3/4	4
11	PP3304H2	WHEEL ASSY, 11"	2
12	2760	GROMMET, BLACK FOR 3/16 METAL	5
13	130 121 620 000	3/4-16 JAMB NYLOCK	2
14	104 042 001 000	1/4-20 X 1 CARRIAGE BOLT	8
15	130 042 000 000	NYLOCK NUT 1/4-20	8
16	105 061 601 750	HHCS USS 3/8 X 1-3/4	2
17	111 037 500 100	FLAT WASHER, USS 3/8	4
18	130 061 600 000	NYLOCK NUT, USS, 3/8-16	2

WARNING

CONFIDENTIAL MATERIAL

THE INFORMATION CONTAINED IN THIS DRAWING IS PROPRIETARY AND MAY CONTAIN TRADE SECRETS AND PATENTABLE SUBJECT MATTER WHICH ARE THE EXCLUSIVE PROPERTY OF ULTIMATE WASHER INC. THIS DRAWING IS PROTECTED BY THE COPYRIGHT LAWS OF THE UNITED STATES. ALL UNAUTHORIZED COPYING IS PUNISHABLE BY FINE OR BY IMPRISONMENT.

CART ASSEMBLY INSTRUCTIONS

1

Open the package and be sure that all of pieces are in the box.

Please note that the majority of pieces shown on the diagram of page 2 are already assembled together.

The following items need to be assembled together to finish the KCA030 Cart. *(see images below)*

Long Handle Bar



Base w/ Wheels



Foot Bracket



2

Get the base plate and flip it upside down. Locate the 4 last holes toward the edge of the plate.



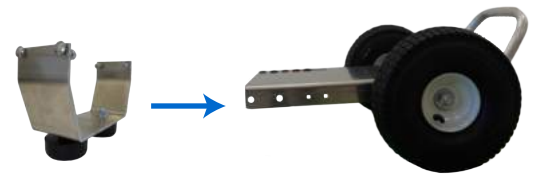
3

Take the Foot bracket with the 4 bolts & washers and separate them so that 4 holes on the foot bracket are open.



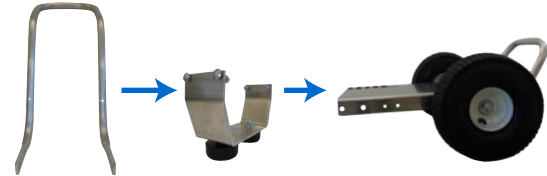
4

Place the foot bracket inside of the base plate aligning each of the 4 holes



5

Take the Long handle bar and align each of the 4 holes at the end of the bar in between the foot bracket and base plate perfectly.



6

Insert each of the 4 bolts through the holes of the base, handle bar and foot bracket.

7

Once all 4 bolts are inserted, use the 4 nut screws and screw them onto the bolt.

8

Be sure to tighten and secure the nut screws onto each bolt with no space left in between.

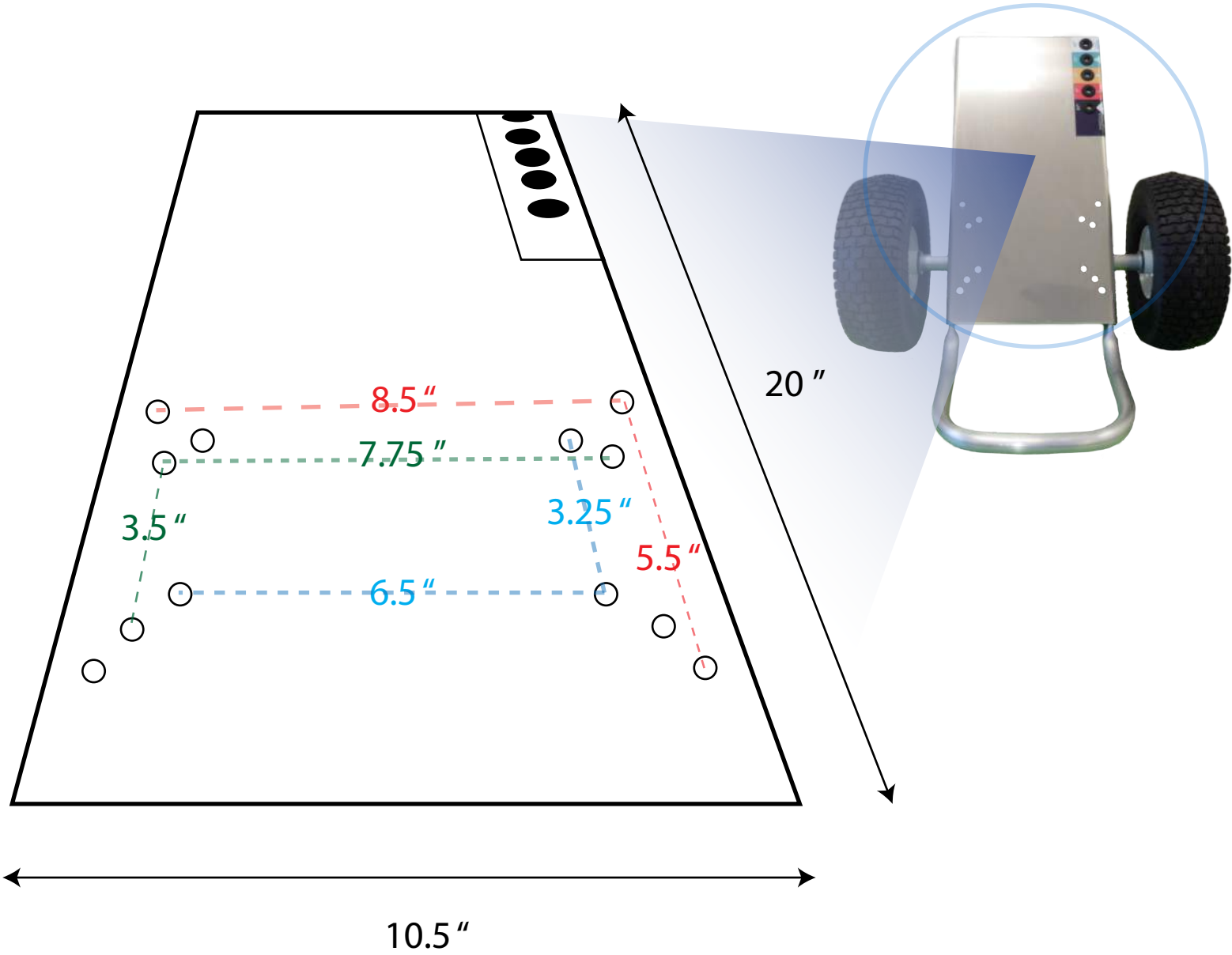
9

Flip the complete cart on its proper side so that the long handle bar is facing up while the wheels and foot bracket are both down on the ground.

The complete cart will look exactly like the images below:

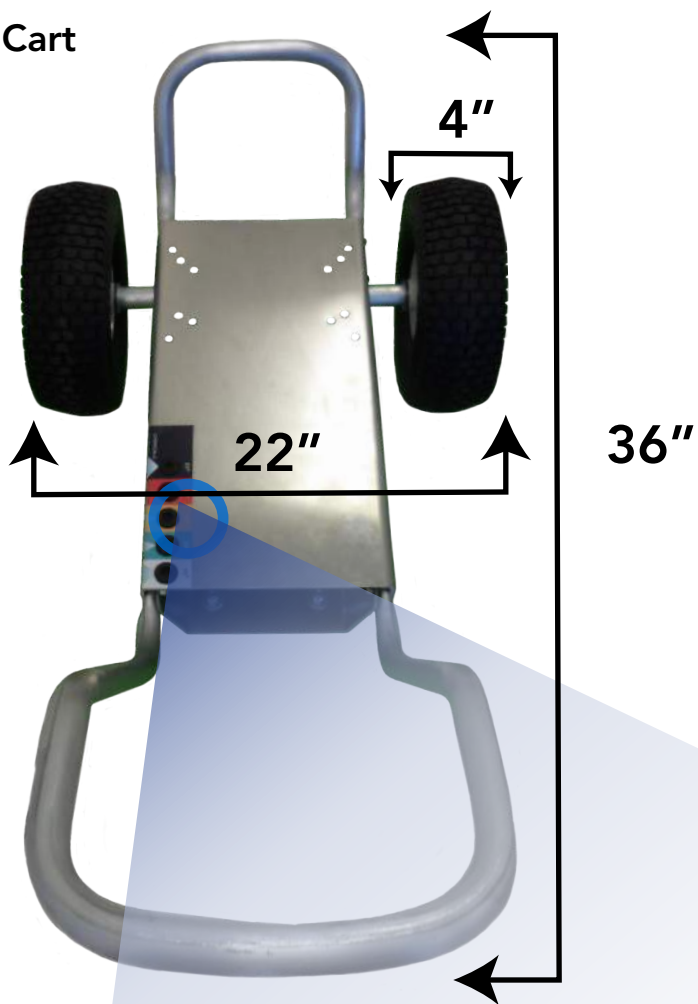


SPECIFICATIONS & MEASUREMENTS

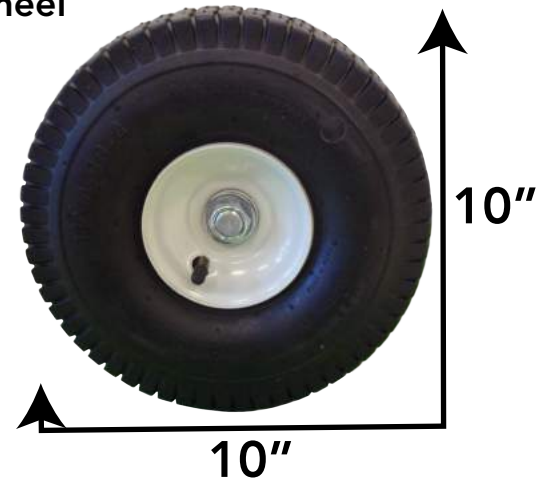


LARGE DRILL PATTERN	----- 5.5" x 8.5"
MEDIUM DRILL PATTERN	----- 3.5" x 7.75"
SMALL DRILL PATTERN	----- 3.25" x 6.5"

Cart



Wheel



Nozzle Holder (Grommets)

