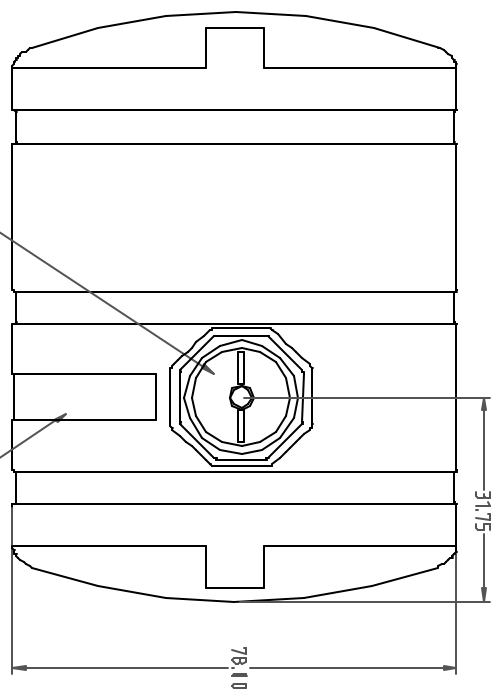
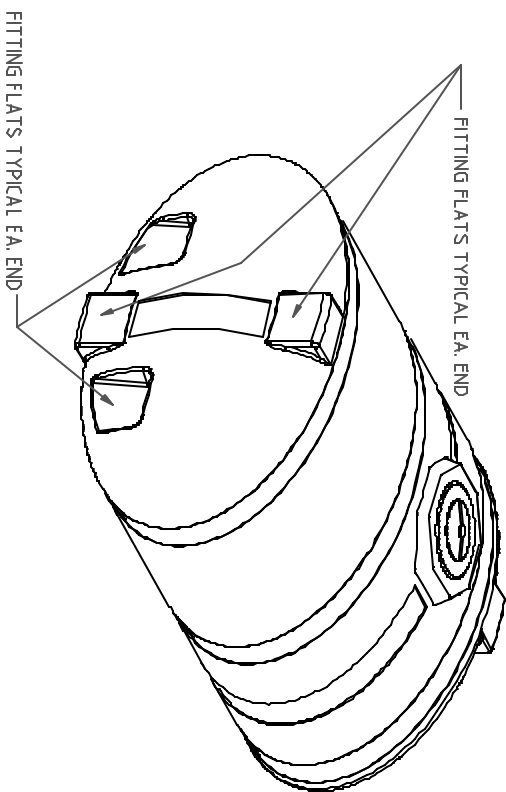


PROPRIETARY DATA

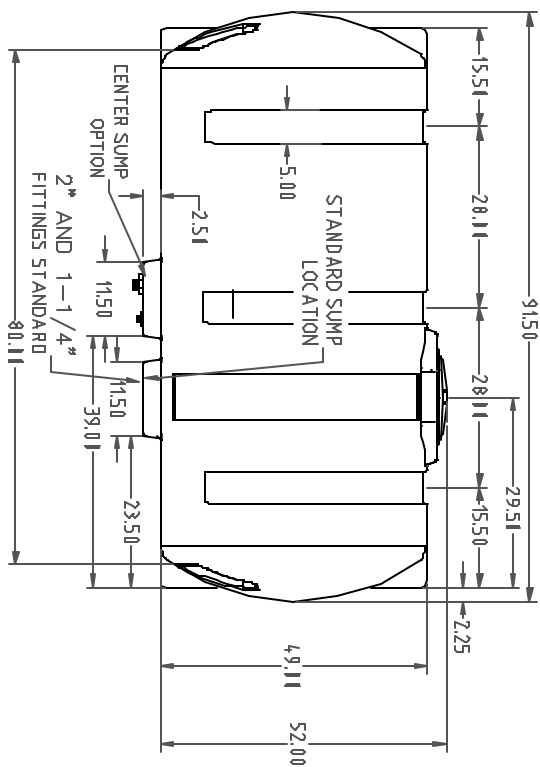
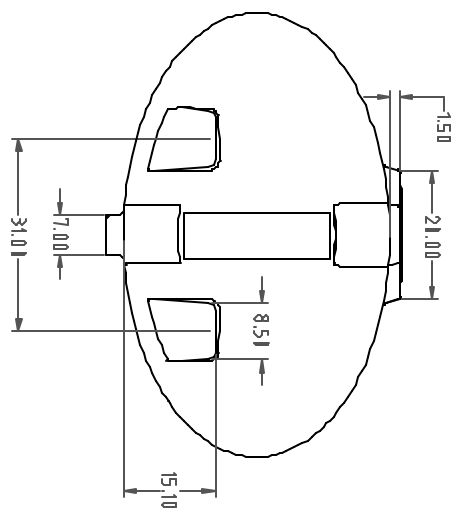
HE1000-78

B

PROPERTY OF ACE ROTO-MOLD MFG., INC. INFORMATION FURNISHED HEREON IS THE PROPERTY OF ACE ROTO-MOLD MFG., INC. AND SHALL NOT BE USED, REPRODUCED, COPIED, OR CIRCULATED WITHOUT THE EXPRESSED WRITTEN CONSENT OF ACE ROTO-MOLD MFG., INC. ALL RIGHTS RESERVED.



GALLON / LITER INDICATORS ONE SIDE AND ONE END  
GALLON CALIBRATIONS ARE IN 50 GAL. INCREMENTS



DRAWN / DATE		REH/2/14/02	
B UPDATE DIM		4/28/16	
A UPDATE WEIGHT		2/2/06	
REV	DESCRIPTION	DATE	APPRD.

MATERIAL / SHOT WEIGHT		M111 M134 U625 P938	
NOTES:		1. .330 NOMINAL WALL	

**Ace Roto-Mold**  
 A DIVISION OF DEN HARTOG INDUSTRIES, INC.  
 401 B HWY. 60 BLVD., BOX 421, HOSFERS, IOWA 51238

ALL DIMENSIONS ARE IN DECIMAL INCHES  
 TOLERANCES UNLESS OTHERWISE SPECIFIED  
 + .5% @ 68° F



CLIENT / DESCRIPTION: ACE 1000 GALLON ELLIPTICAL TANK  
 SCALE: N.S.  
 PART NO.: HE1000-78