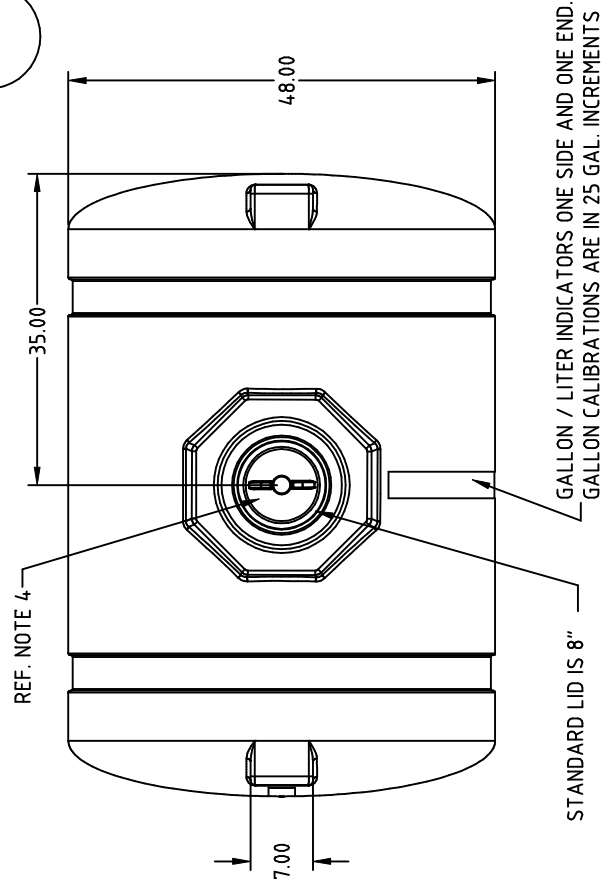


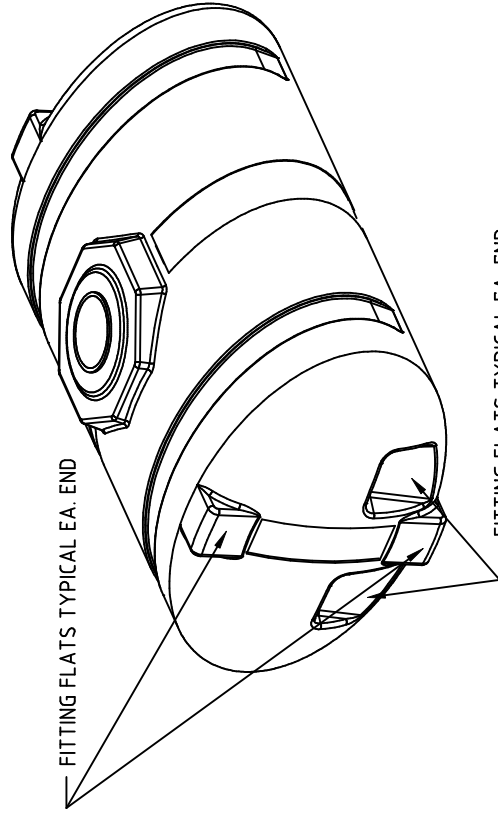
HE0300-48

PROPRIETARY DATA

PROPERTY OF ACE ROTO-MOLD MFG., INC. INFORMATION FURNISHED HEREIN IS THE PROPERTY OF ACE ROTO-MOLD MFG., INC. AND SHALL NOT BE USED, DISCLOSED TO OTHERS, OR COPIED WITHOUT THE EXPRESSED WRITTEN CONSENT OF ACE ROTO-MOLD MFG., INC. ALL RIGHTS RESERVED.

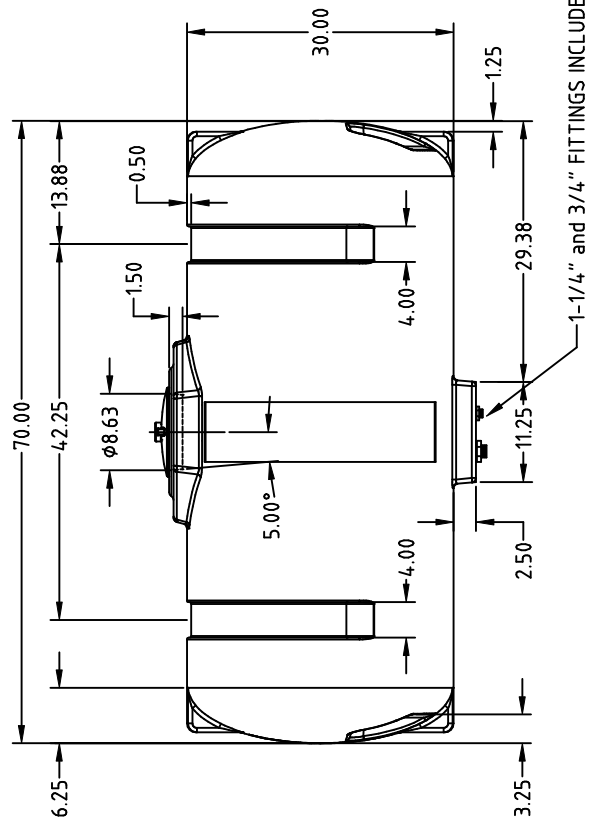
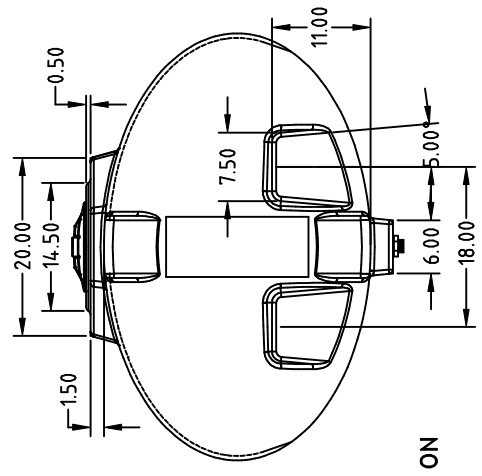


GALLON / LITER INDICATORS ONE SIDE AND ONE END.
GALLON CALIBRATIONS ARE IN 25 GAL. INCREMENTS



FITTING FLATS TYPICAL EA. END

FITTING FLATS TYPICAL EA. END



GENERAL NOTES:

1. USE .027 IN./IN. SHRINK ALLOWANCE
2. MOLD TO BE FULLY WELDED INSIDE AND STITCH WELDED OUTSIDE
3. CLAMPING TO BE WITH 1/2" X 1-1/2" GRADE 8 BOLTS, GRADE 5 NUTS AND NUT HOLDERS.
4. LID RING RECESS TO HAVE KNIFE EDGE ON INSERT TO MINIMIZE TRIMMING.

<p>ACE ROTO-MOLD A DIVISION OF DEN HARTOG INDUSTRIES, INC. 4018 HWY. 60 BLVD., BOX 421, HOSPERS, IOWA 51238</p>		<p>CLIENT / DESCRIPTION</p> <p>ACE 300 GALLON ELLIPTICAL TANK</p>									
<p>DRAWN / DATE</p> <p>REH/4/9/01</p>		<p>MATERIAL / SHOT WEIGHT</p> <table border="1"> <tr> <td>M111</td> <td>M134</td> <td>U625</td> <td>P938</td> </tr> <tr> <td></td> <td>112</td> <td></td> <td></td> </tr> </table>		M111	M134	U625	P938		112		
M111	M134	U625	P938								
	112										
<p>APPRD. / DATE</p> <p>REH/4/09/01</p>		<p>NOTES:</p> <p>1. .300 NOMINAL WALL</p>									
REV	DESCRIPTION	DATE	APPRD								
<p>ALL DIMENSIONS ARE IN DECIMAL INCHES TOLERANCES UNLESS OTHERWISE SPECIFIED ± .5% @ 68° F</p>											
<p>THIRD ANGLE PROJECTION ANSI 14.5M</p>		<p>SCALE</p> <p>N.S.</p>									
<p>HE0300-48</p>		<p>PART NO.</p> <p>HE0300-48</p>									