

Click SAVE to save this manual to your computer. Thank you for choosing Honda.

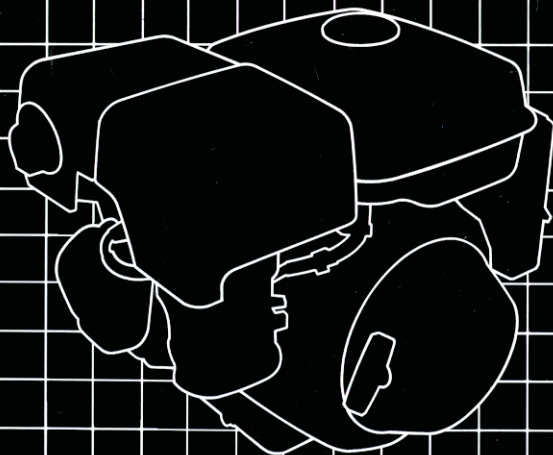
HONDA

Power

Equipment

Owner's Manual

GX240 · GX270 · GX340 · GX390



Thank you for purchasing a Honda engine.

This manual covers the operation and maintenance of GX240 • GX270 • GX340 and GX390 engines and is based on GX270 engine. The QAE type is equipped for both electric and manual starting; other types are equipped for manual starting only. All information in this publication is based on the latest product information available at the time of printing.





Honda Motor Co., Ltd. reserves the right to make changes at any time without notice and without incurring any obligation.

No part of this publication may be reproduced without written permission.

This manual should be considered a permanent part of the engine and should remain with the engine if it is resold.

It is illegal in some areas to operate an engine without a U.S.D.A. qualified spark arrester; check local laws and regulations. An optional spark arrester for this engine is available from any dealership displaying the Honda Power Equipment Engines sign.

READ THIS OWNER'S MANUAL CAREFULLY. Pay special attention to these symbols and any instructions that follow:

- | | |
|---|--|
|  DANGER | — Indicates serious injury or death WILL result if instructions are not followed. |
|  WARNING | — Indicates a strong possibility that serious injury or death could result if instructions are not followed. |
|  CAUTION | — Indicates a possibility that minor injury can result if instructions are not followed. |
|  NOTICE | — Indicates that equipment or property damage can result if instructions are not followed. |

NOTE: Gives helpful information.

If a problem should arise, or if you have any questions about your engine, consult your Honda engine dealer.

CONTENTS

CONTENTS

1. ENGINE SAFETY	3
2. COMPONENT IDENTIFICATION	5
3. BATTERY CONNECTIONS (QAE type)	6
4. REMOTE CONTROL LINKAGE	7
5. PRE-OPERATION CHECK	8
1. ENGINE OIL	8
2. REDUCTION GEAR OIL	9
3. AIR CLEANER	10
4. FUEL	12
6. STARTING THE ENGINE	14
7. OPERATION	16
Oil Alert System	17
High altitude operation	18
8. STOPPING THE ENGINE	19
9. MAINTENANCE	20
1. Oil change	21
2. Air cleaner service	22
3. Sediment cup cleaning	25
4. Spark plug service	26
5. Spark arrester maintenance (optional part)	28
6. Carburetor adjustment	29
10. TRANSPORTING/STORAGE	30
11. TROUBLESHOOTING	31
12. SPECIFICATIONS	32
13. WIRING DIAGRAMS	33
14. WARRANTY SERVICE	35

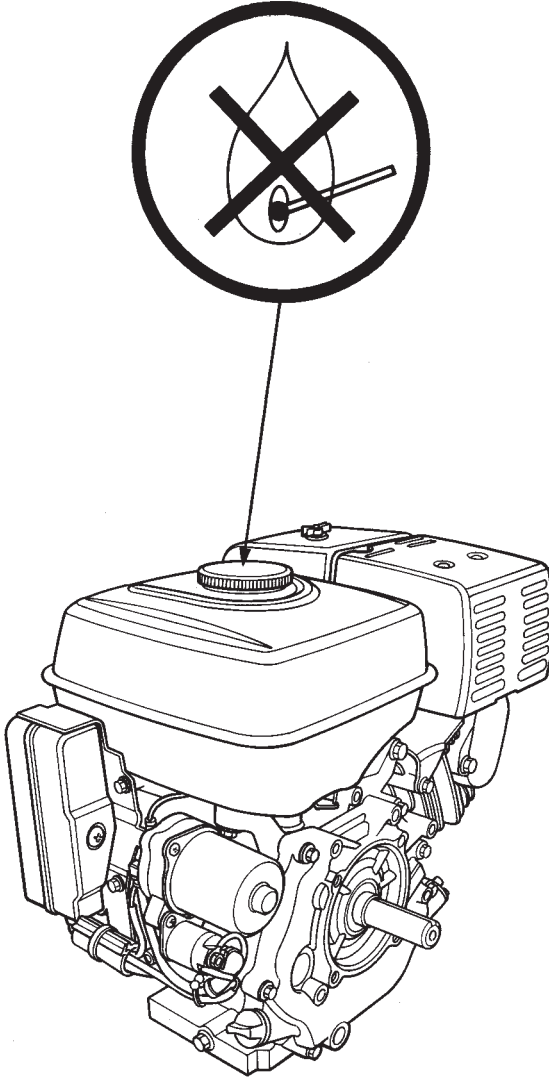
1. ENGINE SAFETY

▲ WARNING

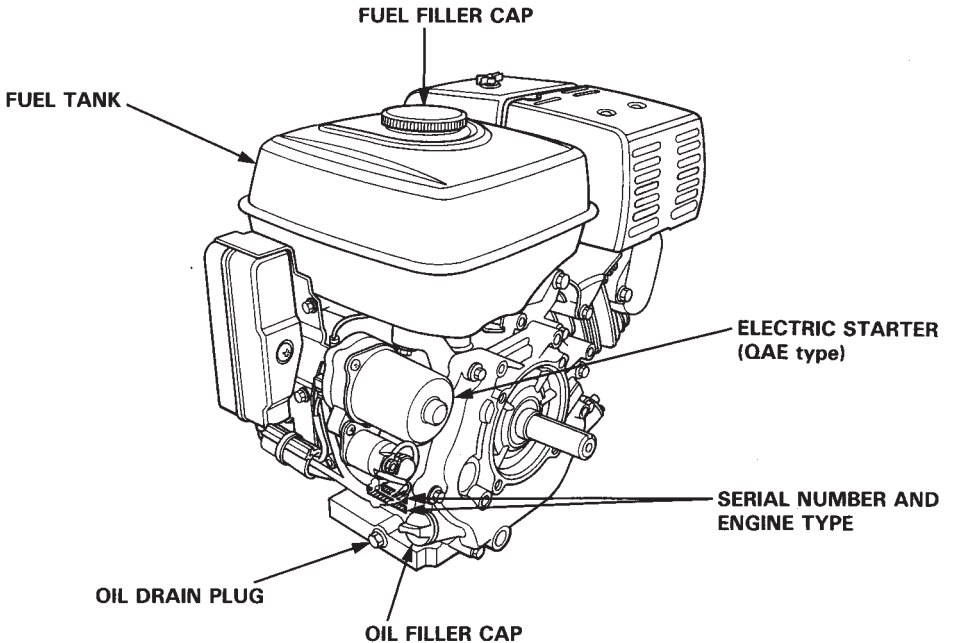
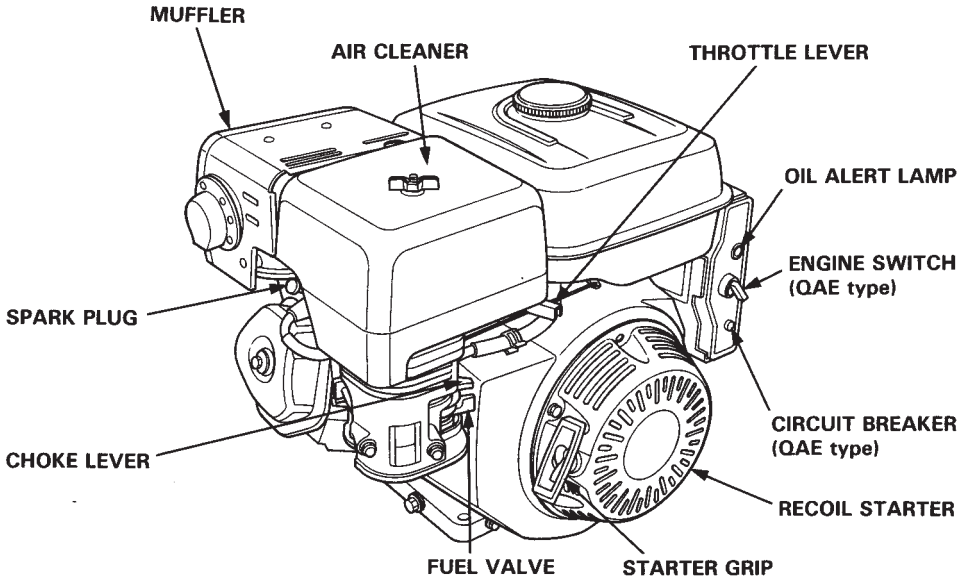
- **Honda engines are designed to give safe and dependable service if operated according to instructions. Read and understand this Owner's Manual before operating the engine. Failure to do so could result in personal injury or equipment damage.**
- **To prevent fire hazards and to provide adequate ventilation, keep the engine at least 1 meter (3 feet) away from buildings and other equipment during operation. Do not place flammable objects close to the engine.**
- **Children and pets must be kept away from the area of operation due to a possibility of burns from hot engine components or injury from any equipment the engine may be used to operate.**
- **Know how to stop the engine quickly, and understand the operation of all controls. Never permit anyone to operate the engine without proper instructions.**
- **Gasoline is extremely flammable and is explosive under certain conditions.**
- **Refuel in a well-ventilated area with the engine stopped. Do not smoke or allow flames or sparks in the refueling area or where gasoline is stored.**
- **Do not overfill the fuel tank. After refueling, make sure the tank cap is closed properly and securely.**
- **Be careful not to spill fuel when refueling. Fuel vapor or spilled fuel may ignite. If any fuel is spilled, make sure the area is dry before starting the engine.**
- **Never run the engine in an enclosed or confined area. Exhaust contains poisonous carbon monoxide gas; exposure may cause loss of consciousness and may lead to death.**
- **The muffler becomes very hot during operation and remains hot for a while after stopping the engine. Be careful not to touch the muffler while it is hot. To avoid severe burns or fire hazards, let the engine cool before transporting it or storing it indoors.**

Read these labels before you operate the engine.

GASOLINE WARNING LABEL



2. COMPONENT IDENTIFICATION



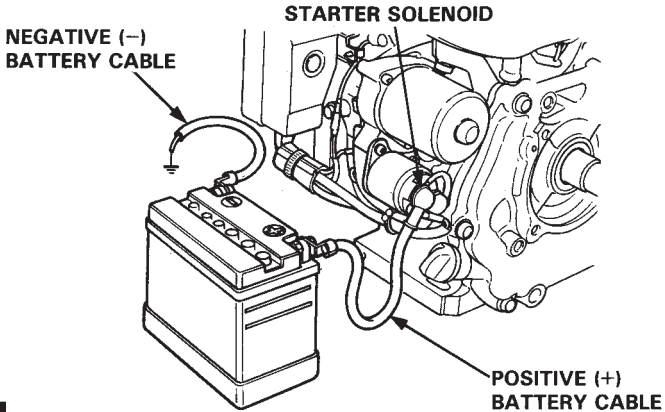
3. BATTERY CONNECTIONS (QAE type)

Use a 12 volt battery with an ampere-hour rating of at least 18 AH.

Connect the battery positive (+) cable to the starter solenoid terminal, as shown.

Connect the battery negative (-) cable to an engine mounting bolt, frame bolt, or other good engine ground connection.

Check the battery cable connections to be sure the cables are tightened and free of corrosion. Remove any corrosion and coat the terminals and cable ends with grease.



⚠ WARNING

- The battery gives off explosive gases; keep sparks, flames and cigarettes away. Provide adequate ventilation when charging or using batteries in an enclosed space.
- The battery contains sulfuric acid (electrolyte). Contact with skin or eyes may cause severe burns. Wear protective clothing and a face shield.
 - If electrolyte gets on your skin, flush with water.
 - If electrolyte gets in your eyes, flush with water for at least 15 minutes and call a physician immediately.
- Electrolyte is poisonous.
 - If swallowed, drink large quantities of water or milk and follow with milk of magnesia or vegetable oil and call a physician.
- **KEEP OUT OF REACH OF CHILDREN.**

NOTICE

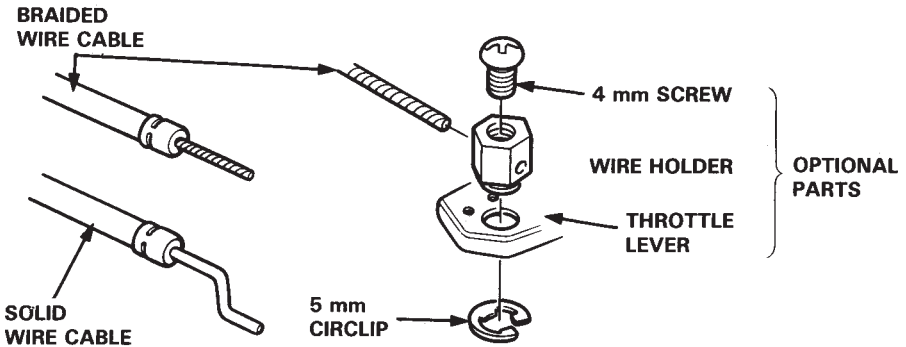
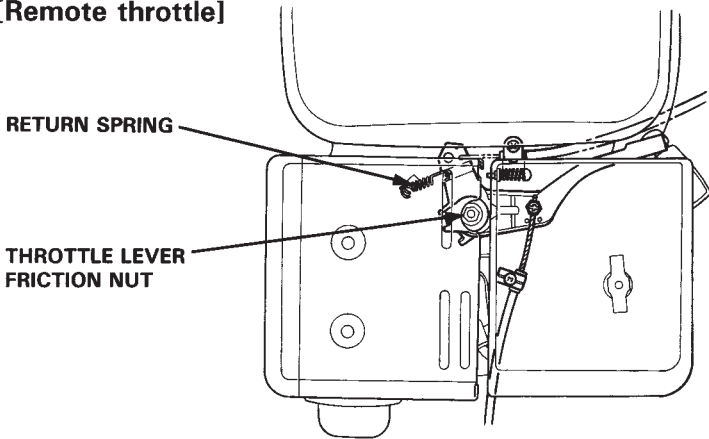
- Use only distilled water in the battery. Tap water will shorten the service life of the battery.
- Filling the battery above the UPPER LEVEL line may cause the electrolyte to overflow, resulting in corrosion to engine or nearby parts. Immediately wash off any spilled electrolyte.
- Be careful not to connect the battery in reverse polarity, as this will short circuit the battery charging system and trip the circuit breaker or

4. REMOTE CONTROL LINKAGE (for throttle and choke cables)

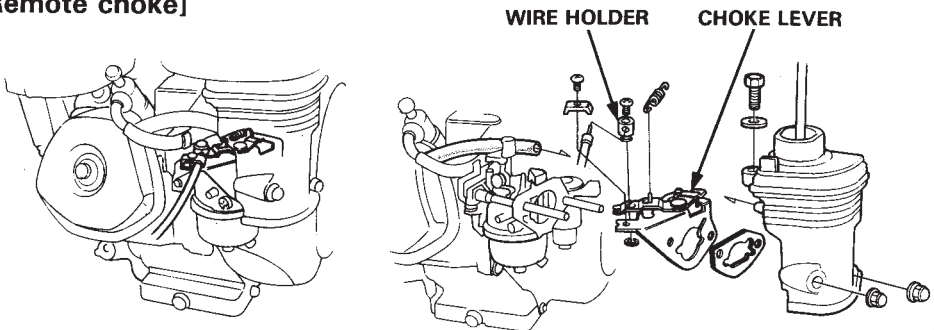
The throttle and choke control levers are provided with holes for optional cable attachment. The following illustrations show installation examples for a solid wire cable and for a braided wire cable. If using a braided wire cable, add a return spring as shown.

It is necessary to loosen the throttle lever friction nut when operating the throttle with a remote cable.

[Remote throttle]



[Remote choke]



5. PRE-OPERATION CHECK

1. ENGINE OIL

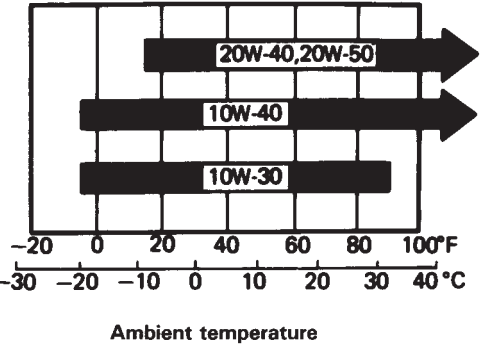
NOTICE

- Engine oil is a major factor affecting engine performance and service life. Nondetergent oils and 2 stroke engine oils are not recommended because they have inadequate lubricating characteristics.
- Be sure to check the engine on a level surface with the engine stopped.

Use Honda 4-stroke oil, or an equivalent high-detergent, premium-quality motor oil certified to meet or exceed U.S. automobile manufacturer's requirements for Service Classification SG·SF/CC·CD. (Motor oils classified SG·SF/CC·CD will show this designation on the container.)

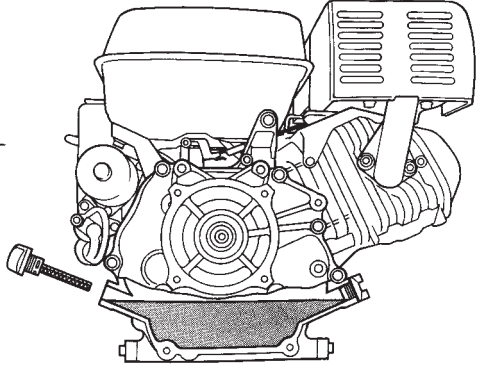
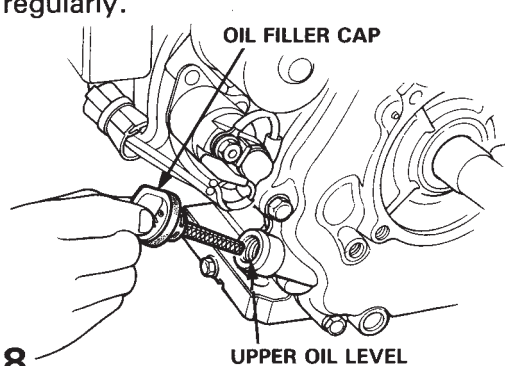
SAE 10W-30 is recommended for general, all-temperature use.

Other viscosities shown in the chart may be used when the average temperature in your area is within the indicated range.



1. Remove the oil filler cap and wipe the dipstick clean.
2. Insert the dipstick into the oil filler neck, but do not screw it in.
3. If the level is low, fill to the top of the oil filler neck with the recommended oil.

NOTE: The oil Alert System will automatically stop the engine before the oil level falls below the safe limit. However, to avoid the inconvenience of an unexpected shutdown, it is advisable to visually inspect the oil level regularly.

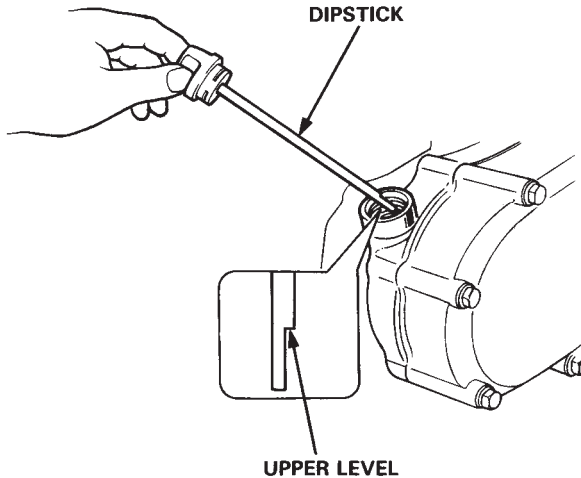


2. REDUCTION GEAR OIL (Only on equipped model)

<1/2 reduction with automatic centrifugal clutch>

1. Remove the oil filler cap and wipe the dipstick clean.
2. Insert the dipstick into the filler neck, but do not screw it in.
3. If the level is low, fill to the upper level mark with the same oil that is recommended for the engine (see engine oil recommendations on page 8).

Oil capacity: 300 cc (10 US oz, 8.4 Imp oz)

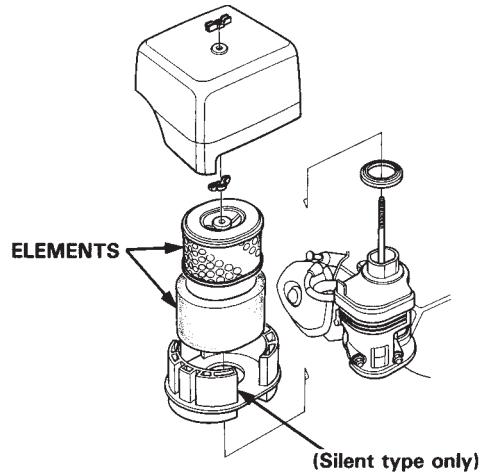


3. AIR CLEANER

NOTICE Never run the engine without the air cleaner. Rapid engine wear will result from contaminants, such as dust and dirt, being drawn through the carburetor and into the engine.

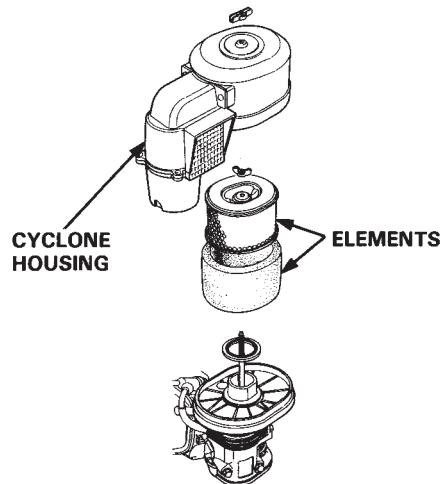
<Dual element type>

Check the air cleaner elements to be sure they are clean and in good condition. Clean or replace the elements if necessary (p.22).



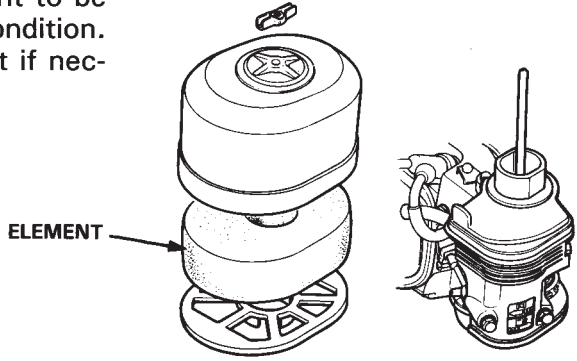
<Cyclone type>

1. Check the air cleaner element to be sure they are clean and in good condition.
Clean or replace the elements if necessary (p.23).
2. Check the cyclone housing, and clean it if it is clogged or excessively dirty (p.23).



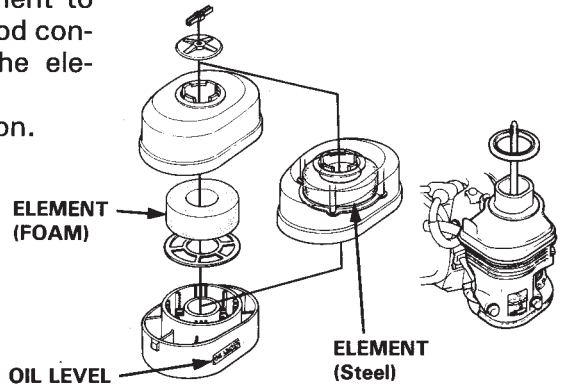
<Single element type>

Check the air cleaner element to be sure it is clean and in good condition. Clean or replace the element if necessary (p.24).



<Oil bath type>

1. Check the air cleaner element to be sure it is clean and in good condition. Clean or replace the element if necessary (p.24).
2. Check oil level and condition.



4. FUEL

Your engine is designed to use any gasoline that has a pump octane number ($\frac{R+M}{2}$) of 86 or higher, or that has a research octane number of 91 or higher. Gasoline pumps at service station normally display the pump octane number.

We recommend that you use unleaded fuel because it produces fewer engine and spark plug deposits and extends the life of exhaust system components.

Never use stale or contaminated gasoline or an oil/gasoline mixture. Avoid getting dirt, dust or water in the fuel tank. Use of a lower octane gasoline can cause persistent "pinging" or heavy "spark knock" (a metallic rapping noise) which, if severe, can lead to engine damage.

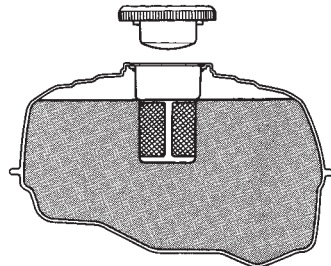
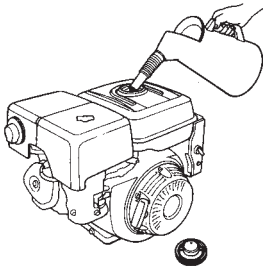
NOTICE If "spark knock" or "pinging" occurs at a steady engine speed under normal load, change brands of gasoline. If spark knock or pinging persists, consult your authorized Honda dealer. Failure to do so is considered misuse, and damage caused by misuse is not covered by Honda's Limited Warranty.

Occasionally you may experience light spark knock while operating under heavy loads. This is no cause for concern, it simply means your engine is operating efficiently.

⚠ WARNING

- Gasoline is extremely flammable and is explosive under certain conditions.
- Refuel in a well-ventilated area with the engine stopped. Do not smoke or allow flames or sparks in the area where the engine is refueled or where gasoline is stored.
- Do not overfill the fuel tank (there should be no fuel in the filler neck). After refueling, make sure the tank cap is closed properly and securely.
- Be careful not to spill fuel when refueling. Spilled fuel or fuel vapor may ignite. If any fuel is spilled, make sure the area is dry before starting the engine.
- Avoid repeated or prolonged contact with skin or breathing of vapor.
KEEP OUT OF REACH OF CHILDREN.

Fuel tank capacity: GX240 · GX270 5.9 l (1.6 US Gal, 10.4 Imp pt)
GX340 · GX390 6.5 l (1.7 US Gal, 11.4 Imp pt)



GASOLINES CONTAINING ALCOHOL

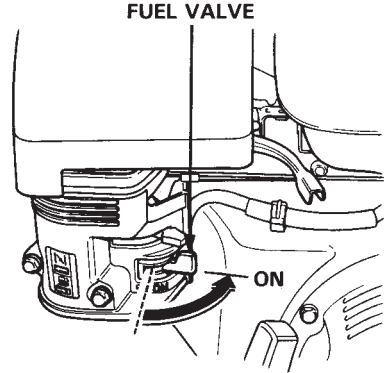
If you decide to use a gasoline containing alcohol (gasohol), be sure its octane rating is at least as high as that recommended by Honda. There are two types of "gasohol": one containing ethanol, and the other containing methanol. Do not use gasohol that contains more than 10% ethanol. Do not use gasoline containing methanol (methyl or wood alcohol) that does not also contain cosolvents and corrosion inhibitors for methanol. Never use gasoline containing more than 5% methanol, even if it has cosolvents and corrosion inhibitors.

NOTE:

- Fuel system damage or engine performance problems resulting from the use of fuels that contain alcohol is not covered under the warranty. Honda cannot endorse the use of fuels containing methanol since evidence of their suitability is as yet incomplete.
- Before buying fuel from an unfamiliar station, try to find out if the fuel contains alcohol, if it does, confirm the type and percentage of alcohol used. If you notice any undesirable operating symptoms while using a gasoline that contains alcohol, or one that you think contains alcohol, switch to a gasoline that you know does not contain alcohol.

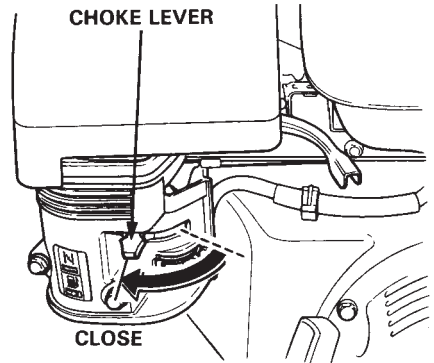
6. STARTING THE ENGINE

1. Turn the fuel valve to the ON position.

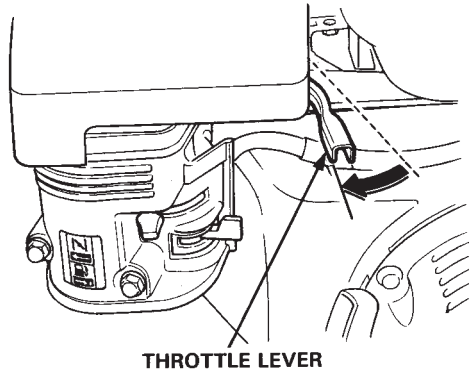


2. Move the choke lever to the CLOSE position.

NOTE: The choke may not be needed if the engine is warm or the air temperature is high.

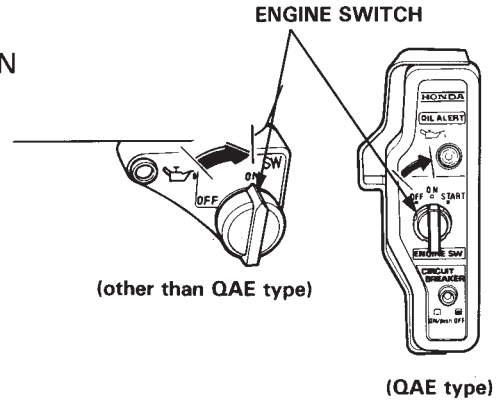


3. Move the throttle lever slightly to the left.



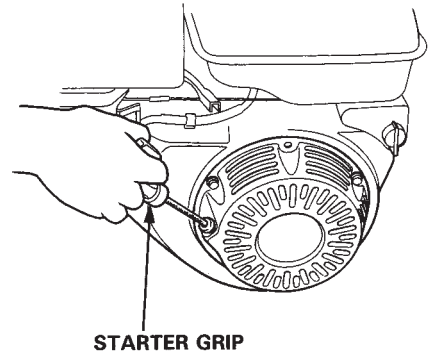
4. Start the engine.

- With recoil starter:
Turn the engine switch to the ON position.



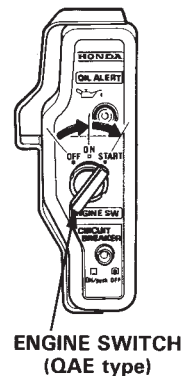
Pull the starter grip lightly until resistance is felt, then pull briskly.

NOTICE Do not allow the starter grip to snap back against the engine. Return it gently to prevent damage to the starter.



- With electric starter (QAE type):
Turn the engine switch to the START position and hold it there until the engine starts.

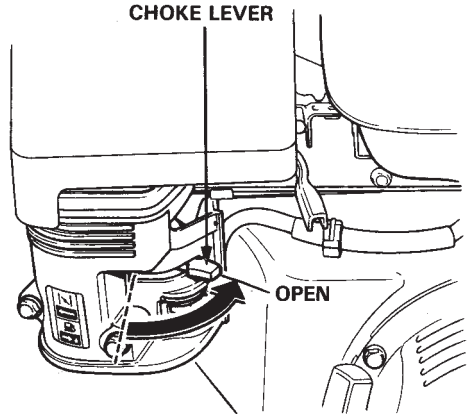
NOTICE Do not use the electric starter for more than 5 seconds or starter motor damage may occur. If the engine falls to start, release the switch and wait 10 seconds before operating the starter again.



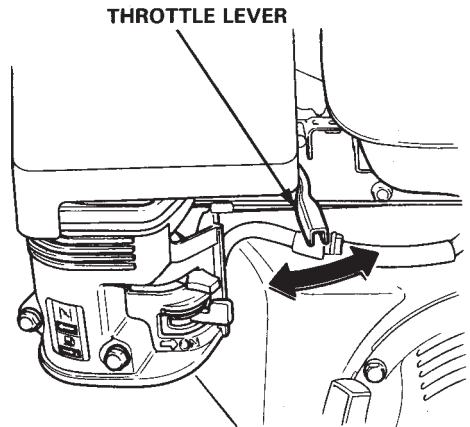
When the engine starts, allow the engine switch to return to the ON position.

7. OPERATION

1. As the engine warms up, gradually move the choke lever to the OPEN position.



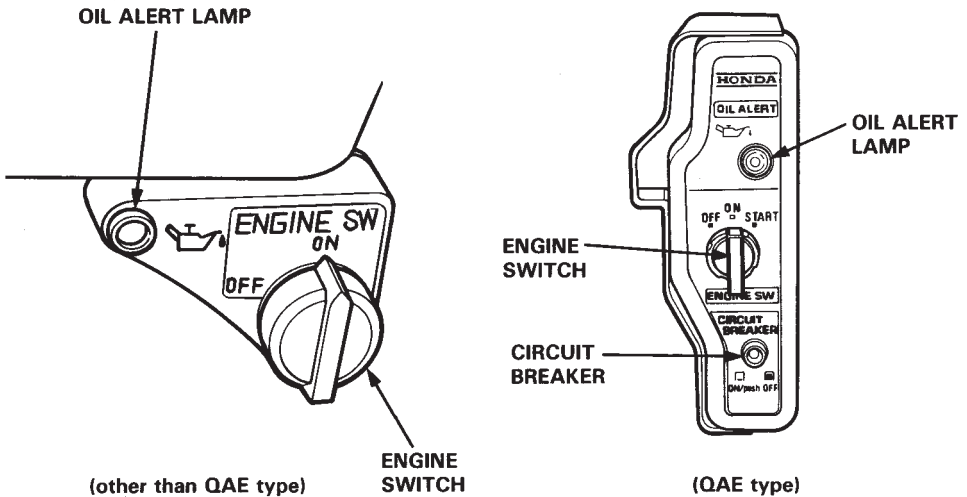
2. Position the throttle lever for the desired engine speed.



Oil Alert System

The Oil Alert system is designed to prevent engine damage caused by an insufficient amount of oil in the crankcase. Before the oil level in the crankcase can fall below a safe limit, the Oil Alert system will automatically shut down the engine (the engine switch will remain in the ON position).

If the Oil Alert system shuts down the engine, the Oil Alert lamp will flash when you operate the starter, and the engine will not run. If this occurs, add engine oil (p.8).



Circuit Breaker (QAE type)

The circuit breaker protects the battery charging circuit. A short circuit or a battery connected in reverse polarity will trip the circuit breaker.

The green indicator inside the circuit breaker will pop out to show that the circuit breaker has switched off. If this occurs, determine the cause of the problem, and correct it before resetting the circuit breaker.

Push the circuit breaker button to reset.

•High altitude operation

At high altitude, the standard carburetor air-fuel mixture will be excessively rich. Performance will decrease, and fuel consumption will increase.

High altitude performance can be improved by installing a smaller diameter main fuel jet in the carburetor and readjusting the pilot screw. If you always operate the engine at altitudes higher than 6,000 feet above sea level, have these carburetor modifications performed by a dealership displaying the Honda Power Equipment Engines sign.

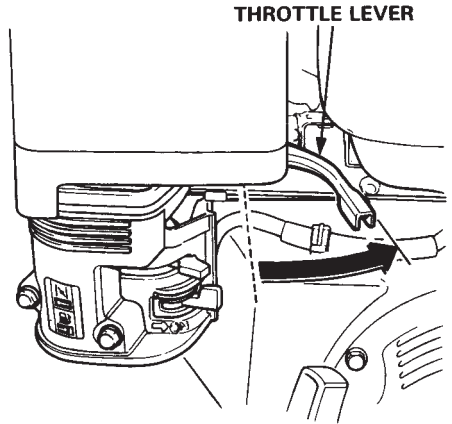
Even with suitable carburetor jetting, engine horsepower will decrease approximately 3.5% for each 1,000 foot increase in altitude. The effect of altitude on horsepower will be greater than this if no carburetor modification is made.

NOTICE Operation of the engine at an altitude lower than the carburetor is jetted for may result in reduced performance, overheating, and serious engine damage caused by an excessively lean air/fuel mixture.

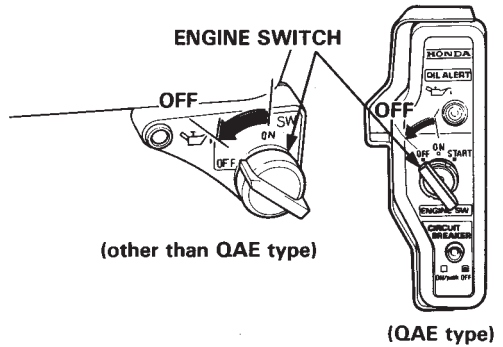
8. STOPPING THE ENGINE

To stop the engine in an emergency, turn the engine switch to the OFF position. Under normal conditions, use the following procedure:

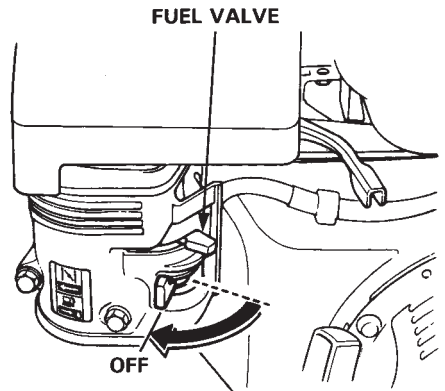
1. Move the throttle lever fully to the right.



2. Turn the engine switch to the OFF position.



3. Turn the fuel valve to the OFF position.



9. MAINTENANCE

Periodic maintenance and adjustment is necessary to keep the engine in good operating condition. Perform the service and inspection scheduled in the following table.

▲ WARNING Shut off the engine before performing any maintenance. If the engine must be run, make sure the area is well ventilated. The exhaust contains poisonous carbon monoxide gas; exposure can cause loss of consciousness and may lead to death.

NOTICE Use only genuine HONDA parts or their equivalent. The use of replacement parts which are not of equivalent quality may damage the engine.

Maintenance Schedule

REGULAR SERVICE PERIOD		Each use	First month or 20 Hrs.	Every 3 months or 50 Hrs.	Every 6 months or 100 Hrs.	Every year or 300 Hrs.
ITEM	Performed at every indicated month or operating hour interval, whichever comes first.					
Engine oil	Check level	○				
	Change		○		○	
Reduction gear oil (applicable models only)	Check level	○				
	Change		○			○
Air cleaner	Check	○				
	Clean			○(1)		
Sediment cup	Clean				○	
Spark plug	Clean-Readjust				○	
Spark arrester (optional part)	Clean				○	
Valve clearance	Check-Readjust					○(2)
Fuel tank and strainer	Clean					○(2)
Fuel line	Check (Replace if necessary)	Every 2 years (2)				

NOTE: (1) Service more frequently when used in dusty areas.

(2) These items should be serviced by an authorized Honda dealer, unless the owner has the proper tools and is mechanically proficient. See the Honda Shop Manual.

1. Oil change

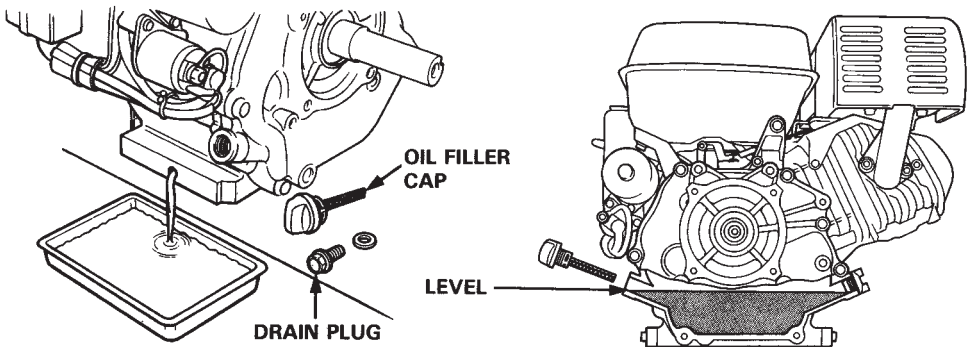
Drain the oil while the engine is still warm to assure rapid and complete draining.

1. Remove the oil filler cap and drain plug to drain the oil.
2. Install the drain plug, and tighten it securely.
3. Refill with the recommended oil (see pages 8 and 9), and check the oil level.
4. Install the oil filler cap.

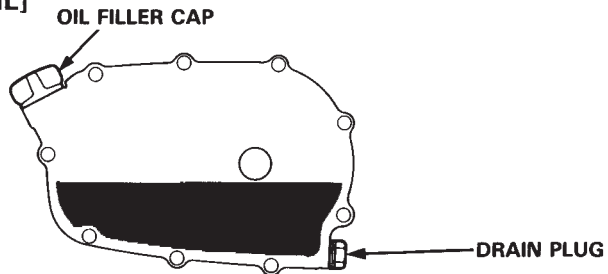
ENGINE OIL CAPACITY: 1.1 l (1.2 US qt, 1.94 Imp qt)

REDUCTION GEAR OIL CAPACITY: 300 cc (10 US oz, 8.4 Imp oz)

[ENGINE OIL]



[REDUCTION GEAR OIL]



CAUTION Used motor oil may cause skin cancer if repeatedly left in contact with the skin for prolonged periods. Although this is unlikely unless you handle used oil on a daily basis, it is still advisable to thoroughly wash your hands with soap and water as soon as possible after handling used oil.

NOTE: Please dispose of used motor oil in a manner that is compatible with the environment. Do not throw it in the trash or pour it on the ground.

2. Air cleaner service

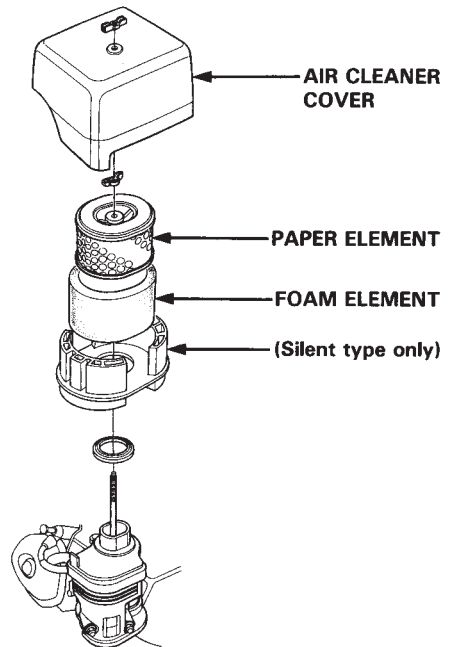
A dirty air cleaner will restrict air flow to the carburetor. To prevent carburetor malfunction, service the air cleaner regularly. Service more frequently when operating the engine in extremely dusty areas.

⚠ WARNING Never use gasoline or low flash point solvents for cleaning the air cleaner element. A fire or explosion could result.

NOTICE Never run the engine without the air cleaner. Rapid engine wear will result from contaminants, such as dust and dirt, being drawn through the carburetor, into the engine.

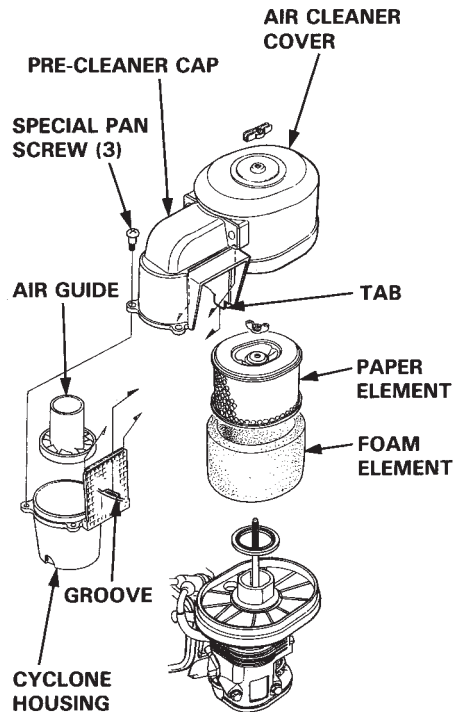
<Dual element type>

1. Remove the wing nut and the air cleaner cover. Remove the elements and separate them. Carefully check both elements for holes or tears and replace if damaged.
2. Foam element: Wash the element in a solution of household detergent and warm water, then rinse thoroughly, or wash in non-flammable or high flash point solvent. Allow the element to dry thoroughly.
Soak the element in clean engine oil, and squeeze out the excess oil. The engine will smoke during initial start-up if too much oil is left in the foam.
3. Paper element: Tap the element lightly several times on a hard surface to remove excess dirt, or blow compressed air through the filter from the inside out. Never try to brush the dirt off; brushing will force dirt into the fibers. Replace the paper element if it is excessively dirty.



<Cyclone type>

1. Remove the wing nut and the air cleaner cover. Remove the elements and separate them. Carefully check both elements for holes or tears and replace if damaged.
2. Foam element: Wash the element in a solution of household detergent and warm water, then rinse thoroughly, or wash in nonflammable or high flash point solvent. Allow the element to dry thoroughly.
Soak the element in clean engine oil and squeeze out the excess oil. The engine will smoke during initial start-up if too much oil is left in the foam.
3. Paper element: Tap the element lightly several times on a hard surface to remove excess dirt, or blow compressed air through the filter from the inside out. Never try to brush the dirt off; brushing will force dirt into the fibers. Replace the paper element if it is excessively dirty.
4. Cyclone Housing: Remove the three special pan head screws, remove the housing, and wash the components with water. Dry the components thoroughly, and carefully reassemble them.

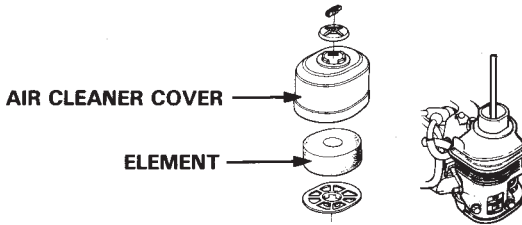


NOTICE

- When reinstalling the cyclone housing, be sure that the groove on the cyclone housing fits properly into the tab in the pre-cleaner cap.
- Be careful to install the air guide as shown.

<Single element type>

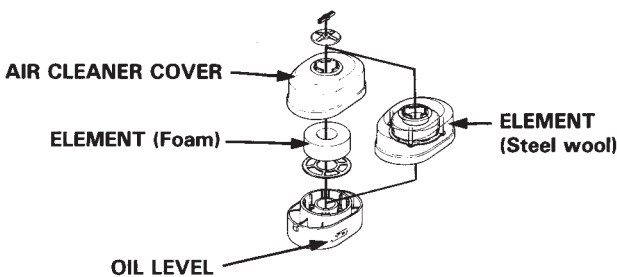
1. Unscrew the wing nut, remove the air cleaner cover and remove the element.
2. Wash the element in a solution of household detergent and warm water, then rinse thoroughly, or wash in nonflammable or high flash point solvent. Allow the element to dry thoroughly.
3. Soak the element in clean engine oil and squeeze out the excess oil. The engine will smoke during initial start-up if too much oil is left in the element.
4. Reinstall the air cleaner element and the cover.



<Oil bath type>

1. Unscrew the wing nut, remove the air cleaner cover and remove the element.
2. Wash the element in a solution of household detergent and warm water, then rinse thoroughly, or wash in nonflammable or high flash point solvent. Allow the element to dry thoroughly.
3. Soak the element in clean engine oil and squeeze out the excess oil. The engine will smoke during initial start-up if too much oil is left in the element.
4. Empty the oil from the air cleaner case and wash out any accumulated dirt with nonflammable or high flash point solvent. Dry the case.
5. Fill the air cleaner case to the level mark with the same oil that is recommended for the engine (see engine oil recommendations on page 8).
6. Reinstall the element and the cover.

OIL CAPACITY: GX240 · GX270 60 cc (2.0 US oz, 1.69 Imp oz)
GX340 · GX390 80 cc (2.7 US oz, 2.25 Imp oz)

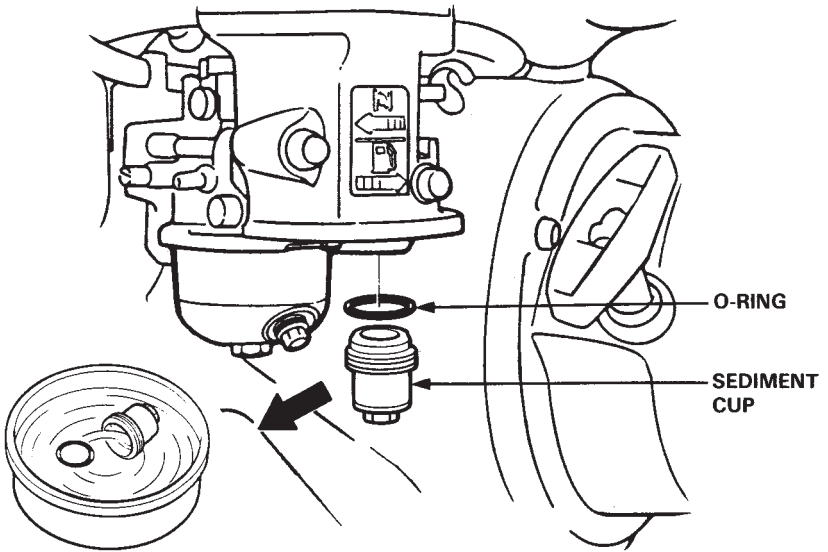


3. Sediment cup cleaning

⚠ WARNING

- Gasoline is extremely flammable and is explosive under certain conditions. Do not smoke or allow flames or sparks in the area.
- After installing the sediment cup, check for leaks, and make sure the area is dry before starting the engine.

Turn the fuel valve to OFF. Remove the sediment cup and O-ring, and wash them in nonflammable or high flash point solvent. Dry them thoroughly, and reinstall securely. Turn the fuel valve ON, and check for leaks.



4. Spark plug service

Recommended spark plug: **BPR6ES (NGK)**
W20EPR-U (ND)

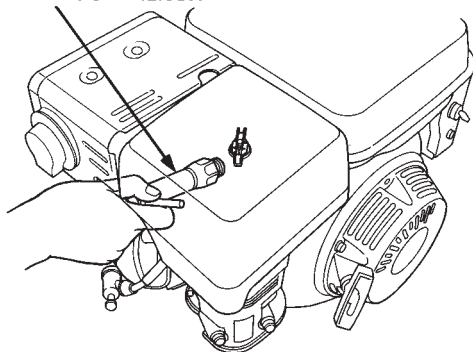
NOTICE Use only the recommended spark plugs or equivalent. Spark plugs which have an improper heat range may cause engine damage.

To ensure proper engine operation, the spark plug must be properly gapped and free of deposits.

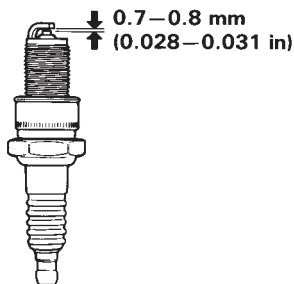
1. Remove the spark plug cap, and use a spark plug wrench to remove the plug.

WARNING If the engine has been running, the muffler will be very hot. Be careful not to touch the muffler.

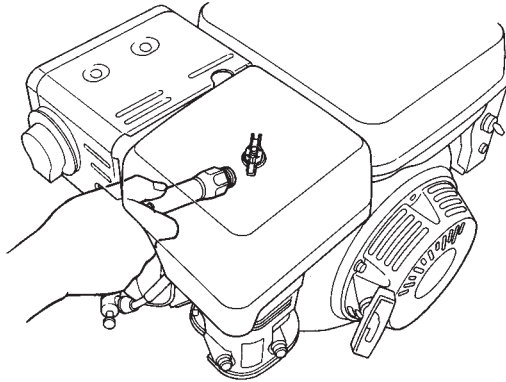
SPARK PLUG WRENCH



2. Visually inspect the spark plug. Discard it if the insulator is cracked or chipped. Clean the spark plug with a wire brush if it is to be reused.
3. Measure the plug gap with a feeler gauge. The gap should be 0.7–0.8 mm (0.028–0.031 in).



-
4. Check that the spark plug washer is in good condition, and thread the spark plug in by hand to prevent cross-threading.



5. After the spark plug is seated, tighten with a spark plug wrench to compress the washer.

NOTE: If installing a new spark plug, tighten 1/2 turn after the spark plug seats to compress the washer. If reinstalling a used spark plug, tighten 1/8–1/4 turn after the spark plug seats to compress the washer.

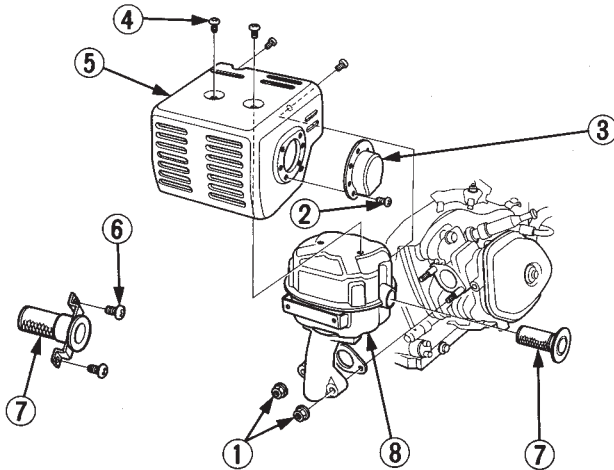
NOTICE The spark plug must be securely tightened. An improperly tightened spark plug can become very hot and may damage the engine.

5. Spark arrester maintenance (optional part)

⚠ WARNING The muffler becomes very hot during operation and remains hot for a while after stopping the engine. Be careful not to touch the muffler while it is hot. Allow it to cool before proceeding.

NOTICE The spark arrester must be serviced every 100 hours to maintain its efficiency.

1. Remove the two 8 mm nuts (1) and remove the muffler from the cylinder.
2. Remove the three 4 mm screws (2) from the exhaust deflector (3), and remove the deflector.
3. Remove the four 5 mm screws (4) from the muffler protector (5), and remove the muffler protector.
4. Remove the 4 mm screw (6) from the spark arrester (7), and remove the spark arrester from the muffler (8).



5. Use a brush to remove carbon deposits from the spark arrester screen.

NOTICE Be careful not to damage the spark arrester screen.



NOTE: The spark arrester must be free of breaks and holes. Replace, if necessary.

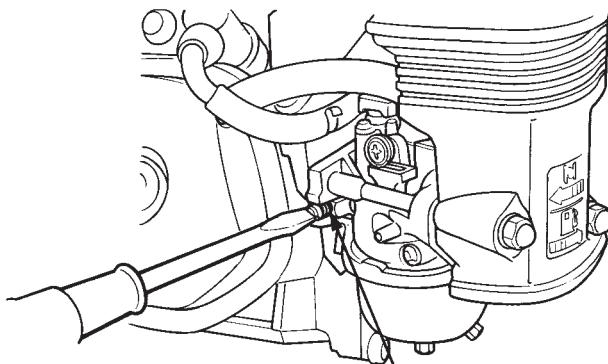
6. Install the spark arrester and the muffler in the reverse order of disassembly.

6. Carburetor adjustment

1. Start the engine and allow it to warm up to normal operating temperature.
2. With the engine idling, turn the pilot screw in or out to the setting that produces the highest idle rpm. Usually the correct setting will be found to be:

	GX240	GX270	GX340	GX390
Dual element type				
Single element type	2.0	2 7/8	2 1/2	2 1/4
Oil bath type				
Cyclone type	2.0	2.0	2 1/4	2 1/4

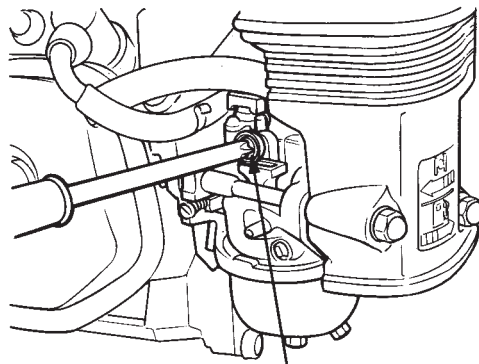
NOTICE Do not tighten the pilot screw against its seat; this will damage the pilot screw or seat.



PILOT SCREW

3. After the pilot screw is correctly adjusted, turn the throttle stop screw to obtain the standard idle speed.

Standard idle speed: 1400 ± 150 rpm.



THROTTLE STOP SCREW

10. TRANSPORTING/STORAGE

⚠ WARNING

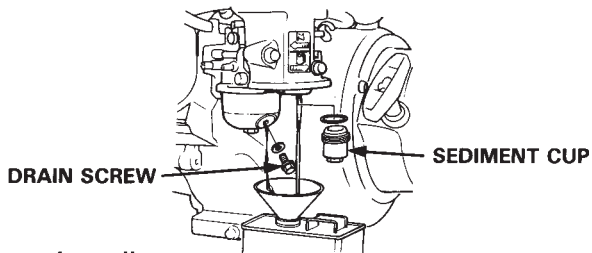
- To avoid severe burns or fire hazards, let the engine cool before transporting it or storing it indoors.
- When transporting the engine, turn the fuel valve to the OFF position and keep the engine level to prevent fuel spillage. Fuel vapor or spilled fuel may ignite.

Before storing the unit for an extended period;

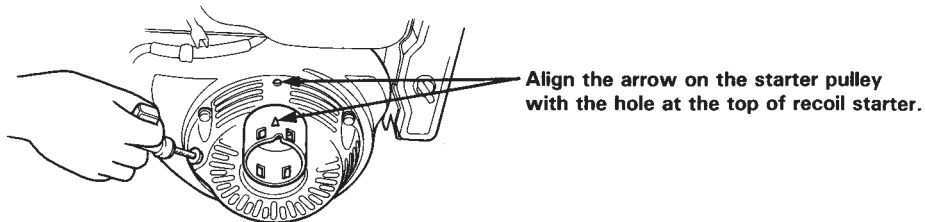
1. Be sure the storage area is free of excessive humidity and dust.
2. Drain the fuel...
 - a. With the fuel valve OFF, remove and empty the sediment cup.
 - b. Turn the fuel valve ON and drain the gasoline in the fuel tank into a suitable container.
 - c. Replace the sediment cup and tighten securely.
 - d. Drain the carburetor by loosening the drain screw. Drain the gasoline into a suitable container.

⚠ WARNING

Gasoline is extremely flammable and is explosive under certain conditions. Do not smoke or allow flames or sparks in the area.



3. Change the engine oil.
4. Remove the spark plug and pour about a tablespoon of clean engine oil into the cylinder. Crank the engine several revolutions to distribute the oil, then reinstall the spark plug.
5. Pull the starter rope slowly until resistance is felt. Continue pulling until the notch on the starter pulley aligns with the hole on the recoil starter (see illustration below). At this point, the intake and exhaust valves are closed, and this will help to protect the engine from internal corrosion.



6. QAE type: Remove the battery and store it in a cool, dry place. Recharge it once a month.
7. Cover the engine to keep out dust.

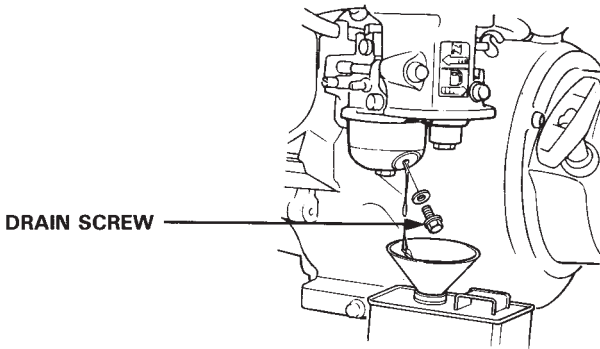
11. TROUBLESHOOTING

Engine will not start, using recoil starter:

1. Is the engine switch ON?
2. Does the oil alert lamp flash when the starter is operated?
3. Is the fuel valve ON?
4. Is there fuel in the fuel tank?
5. Is gasoline reaching the carburetor?

To check, loosen the drain screw with the fuel valve on.

⚠ WARNING If any fuel is spilled, make sure the area is dry before testing the spark plug or starting the engine. Fuel vapor or spilled fuel may ignite.



6. Is there a spark at the spark plug?
 - a. Remove the spark plug cap. Clean any dirt from around the spark plug base, then remove the spark plug.
 - b. Install the spark plug in the plug cap.
 - c. Turn the engine switch on.
 - d. Grounding the side electrode to any engine ground, and pull the recoil starter to see if sparks jump across the gap.
 - e. If there is no spark, replace the plug.
If OK, try to start the engine according to the instructions.
7. If the engine still does not start, take the engine to the dealer.

Engine will not start, using electric starter:

1. Are the battery cables securely connected and free of corrosion?
2. Is the battery fully charged?

NOTE: If the engine does not charge the battery, check the circuit breaker.

3. If the starter motor operates but the engine will not start, follow the troubleshooting procedures described under recoil starter operation.

12. SPECIFICATIONS

GX240 • GX270

DIMENSIONS AND WEIGHT	GX240	GX270
Description code	GC04	GCAB
Length x Width x Height	360 x 420 x 410 mm (14.2 x 16.5 x 16.1 in)	
Dry weight	23.5 kg (51.8 lb)	
Engine type	4-stroke, overhead valve, single cylinder	
Displacement [Bore x Stroke]	242 cc (14.8 cu in) [73 x 58 mm (2.9 x 2.3 in)]	270 cc (16.5 cu in) [77 x 58 mm (3.0 in x 2.3 in)]
Max. output	8.0 HP/3.600 rpm	9.0 HP/3.600 rpm
Max. torque	1.7 kg-m (12.29 ft-lb)/2,500 rpm	1.95 kg (14.1 ft-lb)/2,500 rpm
Fuel consumption	230 g/HPh (0.7 lb/HPh)	
Cooling system	Forced air	
Ignition system	Transistorized magneto	
PTO shaft rotation	Counterclockwise	

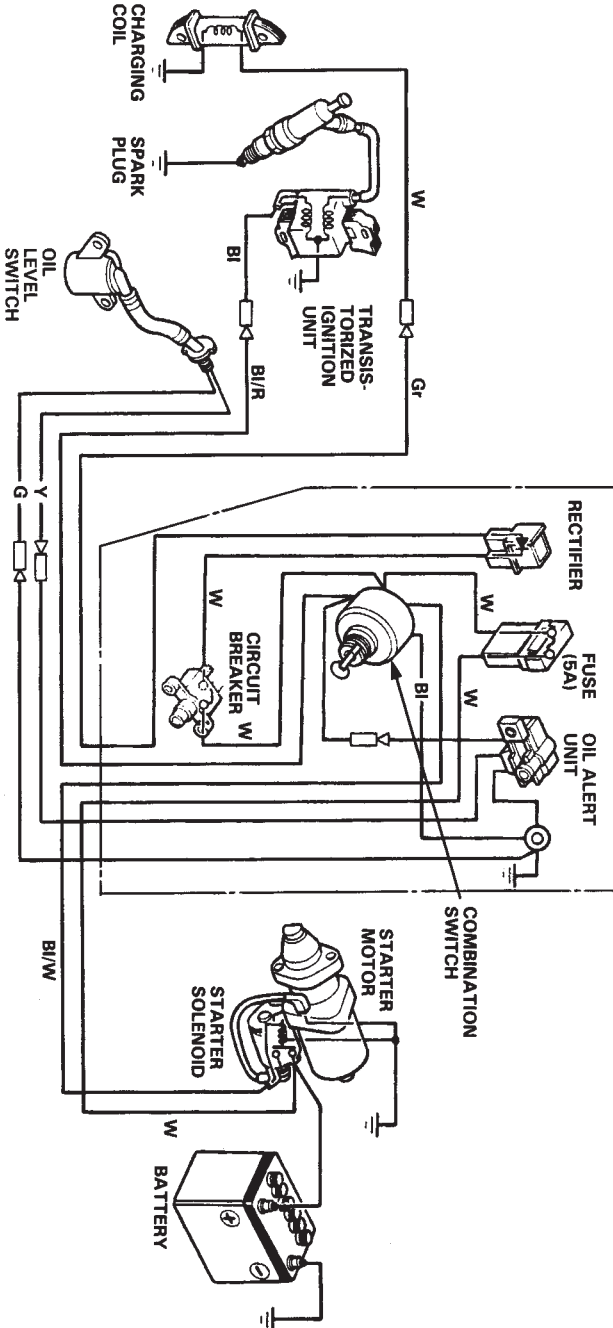
GX340 • GX390

DIMENSIONS AND WEIGHT	GX340	GX390
Description code	GC05	GCAA
Length x Width x Height	390 x 450 x 435 mm (15.4 x 17.7 x 17.1 in)	
Dry weight	31 kg (68.4 lb)	
Engine type	4-stroke, overhead valve, single cylinder	
Displacement [Bore x Stroke]	337 cc (20.6 cu in) [82 x 64 mm (3.2 x 2.5 in)]	389 cc (23.7 cu in) [88 x 64 mm (3.5 in x 2.5 in)]
Max. output	11.0 HP/3.600 rpm	13 HP/3.600 rpm
Max. torque	2.4 kg-m (17.36 ft-lb)/2,500 rpm	2.7 kg-m (19.5 ft-lb)/2,500 rpm
Fuel consumption	230 g/HPh (0.7 lb/HPh)	
Cooling system	Forced air	
Ignition system	Transistorized magneto	
PTO shaft rotation	Counterclockwise	

NOTE: Specifications may vary according to the types, and are subject to change without notice.

13. WIRING DIAGRAMS

QAE Type



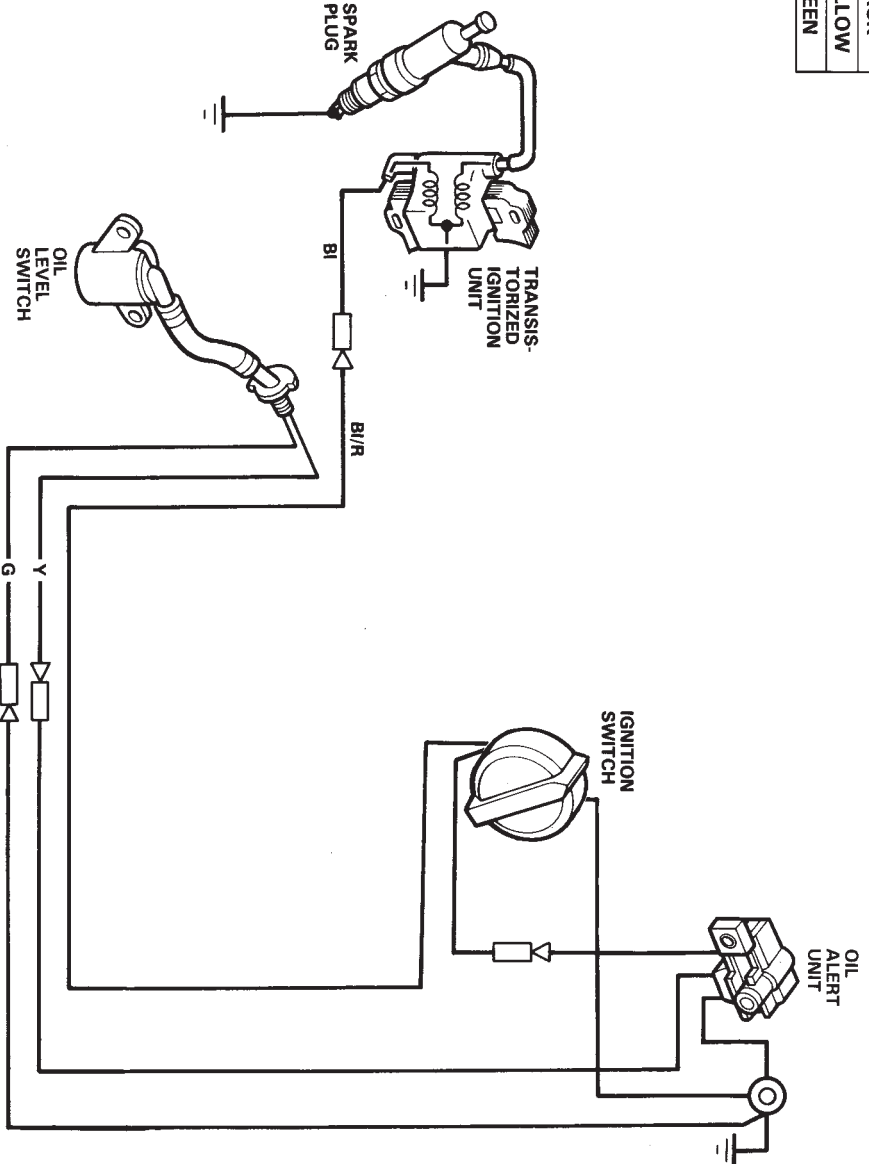
BI	BLACK	Gr	GRAY
Y	YELLOW	R	RED
W	WHITE	G	GREEN

	IG	E	ST	BAT
OFF	<input type="radio"/>	<input type="radio"/>		
ON	<input type="radio"/>			
START			<input type="radio"/>	<input type="radio"/>

Except QAE type

NOTE: Wiring diagrams may vary according to the types.

BI	BLACK
Y	YELLOW
G	GREEN



14. WARRANTY SERVICE

Owner Satisfaction

Your satisfaction and goodwill are important to your dealer and to us. All Honda warranty details are explained in the Distributor's Limited Warranty.

Warranty service is available at any dealership displaying the Honda Power Equipment Engines sign. To locate dealers in your area, look in the yellow pages of your telephone directory under Gasoline Engines, Garden & Lawn Equipment & Supplies, Lawn Mowers, etc.



Normally, any problem concerning the engine will be handled by the dealer's service department. If you have a warranty problem that has not been handled to your satisfaction, we suggest you take the following action:

- Discuss your problem with a member of dealership management. Often complaints can be quickly resolved at that level. If the problem has already been reviewed with the Service Manager, contact the owner of the dealership or the General Manager.
- If your problem still has not been resolved to your satisfaction, contact:

American Honda Motor Co., Inc.
P.O. Box 100021
Duluth, Georgia 30136-9421
Telephone: (404) 497-6400

We still need the following information in order to assist you:

- Your name, address, and telephone number
- Engine model and serial number
- Date of purchase
- Dealer name and address
- Product or equipment in which the engine is installed.
- Nature of the problem

After reviewing all the facts involved, you will be advised of what action can be taken. Please bear in mind that your problem will likely be resolved at the dealership, using the dealer's facilities, equipment, and personnel, so it is very important that your initial contact be with the dealer.

Your purchase of a Honda engine is greatly appreciated by both your dealer and American Honda Motor Co., Inc. We want to assist you in every way possible to assure your complete satisfaction with your purchase.

HONDA

HONDA MOTOR CO., LTD. TOKYO, JAPAN

31ZH9600
00X31-ZH9-6000

Ⓐ 英 Y 3009009
PRINTED IN JAPAN