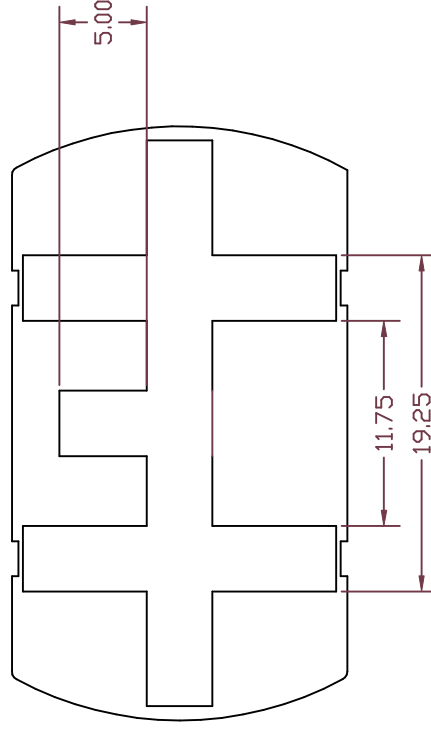
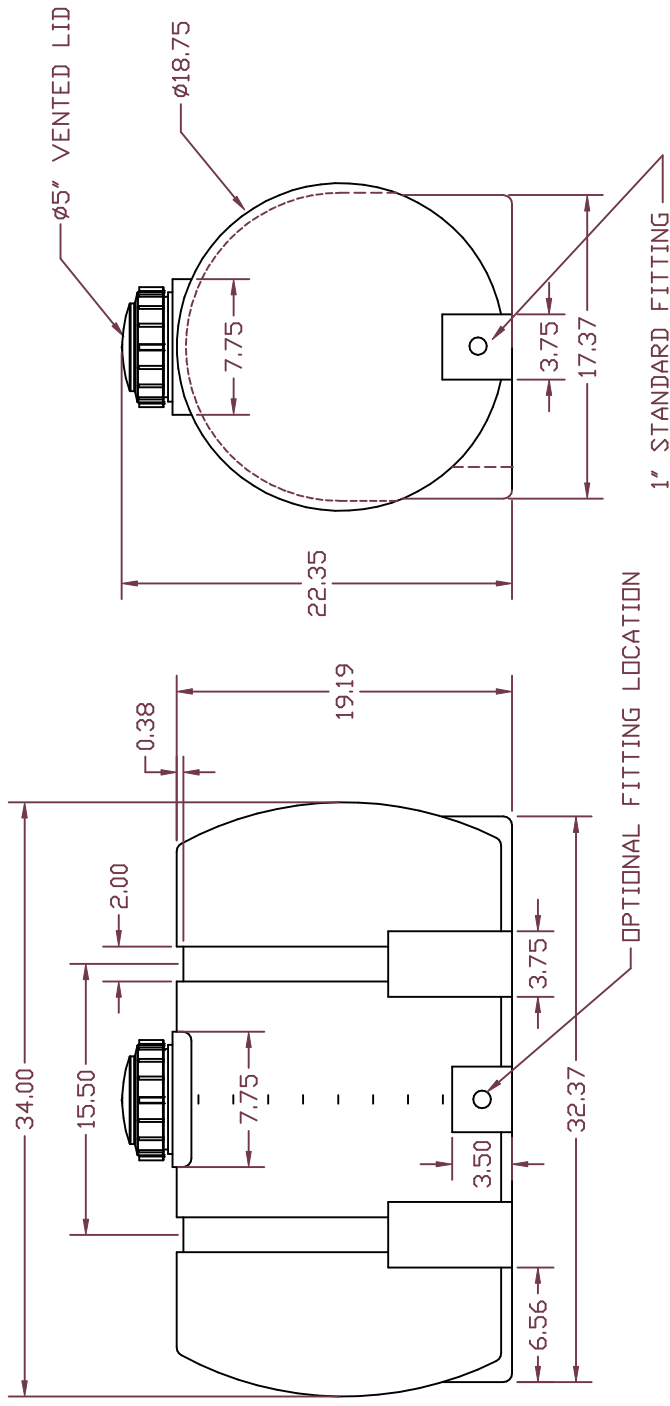



PROPRIETARY DATA

PROPERTY OF ACE ROTO-MOLD MFG., INC. INFORMATION FURNISHED HEREIN IS THE PROPERTY OF ACE ROTO-MOLD MFG., INC. AND SHALL NOT BE USED, DISCLOSED TO OTHERS, OR COPIED WITHOUT THE EXPRESSED WRITTEN CONSENT OF ACE ROTO-MOLD MFG., INC. ALL RIGHTS RESERVED.

FS0035-18

B



REV	DESCRIPTION	DATE	APPRD	DRAWN / DATE	MATERIAL	CLIENT / DESCRIPTION
B	35 WAS 25	12/10/07	ADH	DHJ 9/18/03	HDPE OR EQUIVALENT REFERENCE MATERIAL DATA SHEET FOR SPECIFIC PROPERTIES.	<b>ACE ROTO-MOLD</b> A DIVISION OF DEN HARTOG INDUSTRIES, INC. 4010 HOSPERS DRIVE SOUTH, BOX 425, HOSPERS, IOWA 51238 35 GALLON FREE STANDING TANK
A	ADD FITTING	9/29/04		REH 9/27/05		
ALL DIMENSIONS ARE IN DECIMAL INCHES TOLERANCES UNLESS OTHERWISE SPECIFIED ± 1% @ 68° F				THIRD ANGLE PROJECTION ANSI 14.54 		SCALE N.S. PART NO. FS0035-18

- NOTES:
- 0.152 NOM. WALL
  - BLACK, WHITE OR YELLO COLOR
  - .SHOT WEIGHT 14. LBS.