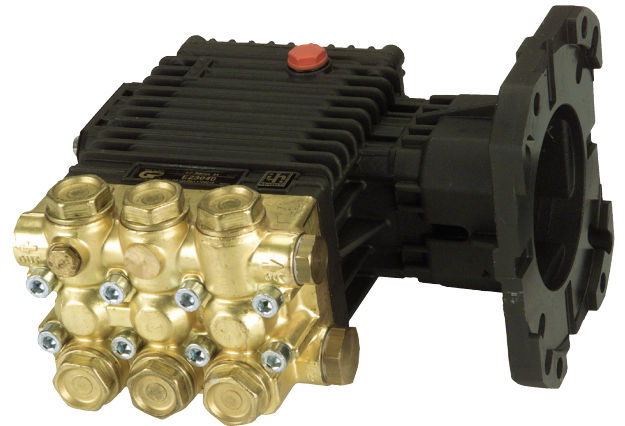


# EZ Series 44 G

## 4000 PSI, Triplex Plunger Pumps

### FEATURES

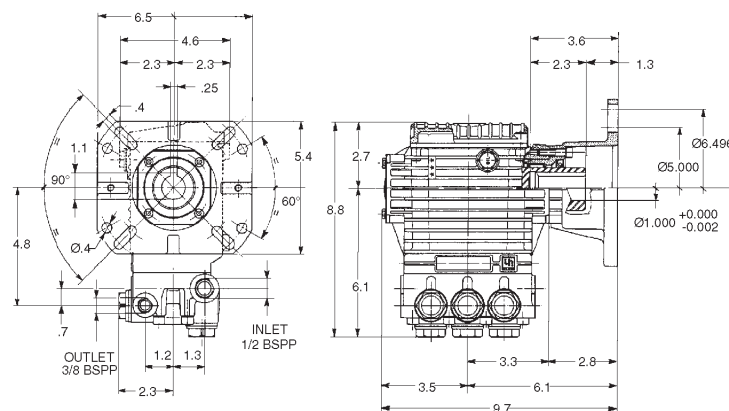
- Innovative one-piece plunger design
- 5% reduction in crankcase load compared to standard 3,000 psi – 15 mm pumps
- Superior plunger performance against thermal shock and cavitation due to new, unique bonding process
- Standard SAE J609 gasoline mounting flange for up to 16 hp engines
- Forged brass manifold with a 3:1 hydrostatic rating
- Die-cast, anodized aluminum, oil-bath crankcase
- Premium roller bearing
- Unitized stainless steel inlet and discharge valves
- Available in “L” left-handed versions

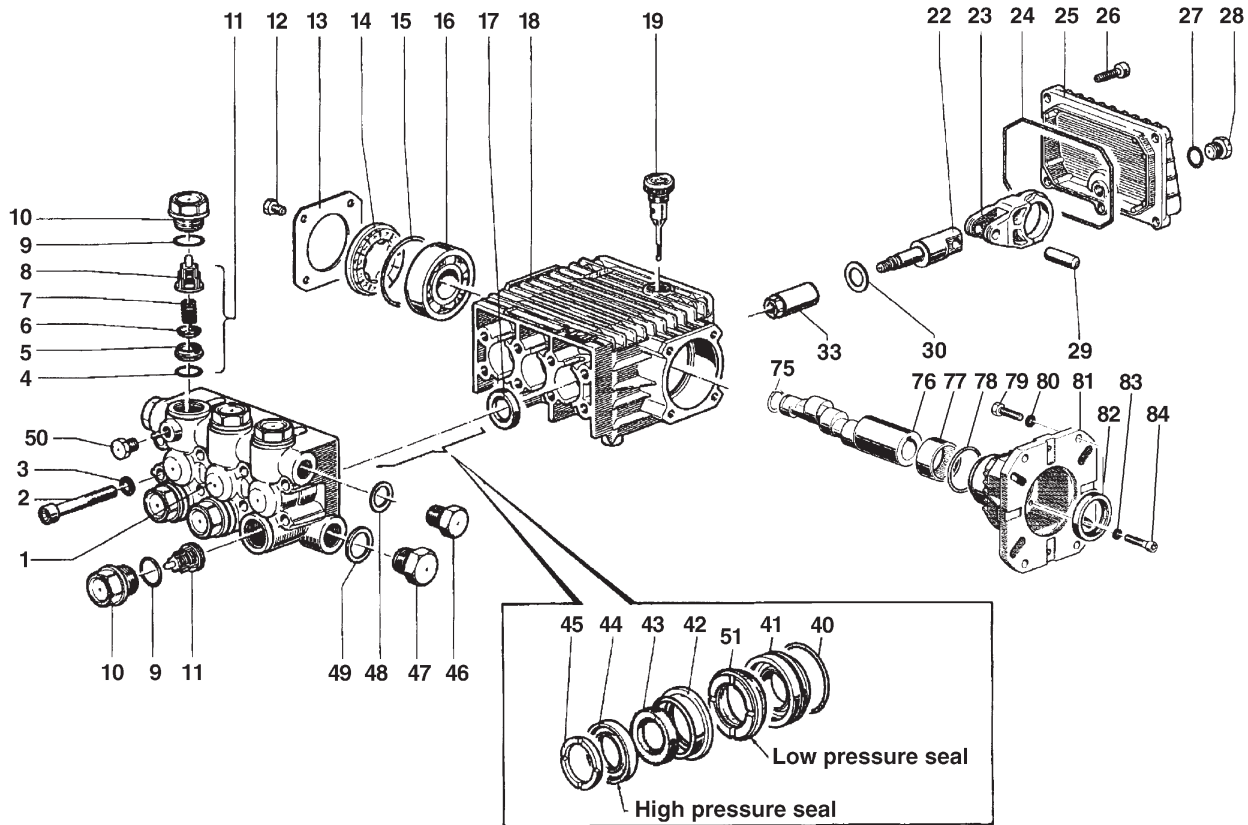


### SPECIFICATIONS

| Pump Model                 | EZ4040G34           | EZ4035G34 | EZ4030G34  |
|----------------------------|---------------------|-----------|------------|
| Maximum Volume             | 4.0 GPM             | 3.5 GPM   | 3.0 GPM    |
| Maximum Discharge Pressure | 4000 PSI            |           |            |
| Maximum Pump Speed         | 3400 RPM            |           |            |
| Maximum Inlet Pressure     | 125 PSI             |           |            |
| Maximum Inlet Vacuum       | Flooded             |           |            |
| Bore                       | .512 in. / 13 mm    |           |            |
| Stroke (in./mm)            | .512 / 13           | .433 / 11 | .374 / 9.5 |
| Crankcase Oil Capacity     | 14.0 oz.            |           |            |
| Maximum Fluid Temperature  | 165°F               |           |            |
| Inlet Port Thread          | 1/2-14 BSPP-F       |           |            |
| Discharge Port Thread      | 3/8-19 BSPP-F       |           |            |
| Hollow Shaft I.D.          | 1.0 in. / 25.4 mm   |           |            |
| Weight                     | 20 lbs.             |           |            |
| Dimensions                 | 8.8 x 9.7 x 6.5 in. |           |            |

### DIMENSIONAL DRAWING





### PARTS LIST

| Item | Part No. | Description    | Kit No. | Qty. | Item | Part No. | Description       | Kit No.  | Qty. | Item | Part No. | Description                | Kit No. | Qty. |
|------|----------|----------------|---------|------|------|----------|-------------------|----------|------|------|----------|----------------------------|---------|------|
| 1.   | 44120641 | Manifold       |         | 1    | 22.  | 44050166 | Piston Guide      |          | 3    | 49.  | 96751400 | Washer                     |         | 1    |
| 2.   | 99317500 | Screw          |         | 8    | 23.  | 44030022 | Connecting Rod    |          | 3    | 50.  | 98196600 | Cap Screw                  |         | 1    |
| 3.   | 96701400 | Washer         |         | 8    | 24.  | 90392000 | O-Ring            |          | 1    | 51.  | 90260300 | Seal, Low Pressure 153,156 |         | 3    |
| 4.   | 90384100 | O-Ring         | 123     | 6    | 25.  | 44160022 | Rear Cover        |          | 1    | 75.  | 90063500 | Retaining Ring             |         | 1    |
| 5.   | 36200366 | Valve Seat     | 123     | 6    | 26.  | 99183700 | Screw             |          | 5    | 76.  | 44022165 | Crankshaft (EZ4040G34)     |         | 1    |
| 6.   | 36200176 | Valve          | 123     | 6    | 27.  | 90358500 | O-Ring            |          | 1    |      | 44021265 | Crankshaft (EZ4035G34)     |         | 1    |
| 7.   | 94737600 | Spring         | 123     | 6    | 28.  | 98204100 | Cap Screw         |          | 1    |      | 44020965 | Crankshaft (EZ4030G34)     |         | 1    |
| 8.   | 36202551 | Valve Cage     | 123     | 6    | 29.  | 97734000 | Pin               |          | 3    | 77.  | 91856800 | Roller Bearing             |         | 1    |
| 9.   | 90384700 | O-Ring         | 124     | 6    | 30.  | 96696700 | Washer            |          | 3    | 78.  | 90409700 | O-Ring                     |         | 1    |
| 10.  | 98222600 | Cap Screw      | 124     | 6    | 33.  | 44040266 | Plunger, 13 mm    |          | 3    | 79.  | 99275500 | Screw, 5/16x1              |         | 4    |
| 11.  | 36711501 | Valve Assembly | 123     | 6    | 40.  | 90361200 | O-Ring            | 152, 156 | 3    |      | 99334500 | Screw, 3/8x1               |         | 4    |
| 12.  | 99180700 | Screw          |         | 4    | 41.  | 44080370 | Packing Retainer  | 152, 156 | 3    | 80.  | 96702000 | Washer, Ø8 mm              |         | 4    |
| 13.  | 50150074 | Bearing Cover  |         | 1    | 42.  | 44216270 | Intermediate Ring | 154, 156 | 3    |      | 96710400 | Washer, Ø10 mm             |         | 4    |
| 14.  | 44211801 | Spacer         |         | 1    | 43.  | 90507600 | Packing           | 153, 156 | 3    | 81.  | 10051822 | Gas Flange                 |         | 1    |
| 15.  | 90409700 | O-Ring         |         | 1    | 44.  | 90260200 | Packing           | 153, 156 | 3    | 82.  | 90169000 | Oil Seal                   |         | 1    |
| 16.  | 91832800 | Ball Bearing   |         | 1    | 45.  | 44100251 | Head Ring         | 155, 156 | 3    | 83.  | 96693800 | Washer                     |         | 4    |
| 17.  | 90161400 | Oil Seal       | 23      | 3    | 46.  | 98210000 | Cap Screw         |          | 1    | 84.  | 99191200 | Screw                      |         | 4    |
| 18.  | 44010022 | Crankcase      |         | 1    | 47.  | 98217600 | Cap Screw         |          | 1    |      |          |                            |         |      |
| 19.  | 98210300 | Oil Dip Stick  |         | 1    | 48.  | 96738000 | Washer            |          | 1    |      |          |                            |         |      |

### REPAIR KITS

| KIT NO.                              | 23 | 123                 | 124   | 152    | 153        | 154 | 156                        |
|--------------------------------------|----|---------------------|-------|--------|------------|-----|----------------------------|
| ITEM NO'S INCLUDED IN KIT            | 17 | 4, 5, 6, 7, 8, (11) | 9, 10 | 40, 41 | 43, 44, 51 | 42  | 40, 41, 42, 43, 44, 45, 51 |
| NUMBER OF ASSEMBLIES IN KIT          | 3  | 6                   | 6     | 3      | 3          | 3   | 1                          |
| NUMBER OF CYLINDERS KIT WILL SERVICE | 3  | 3                   | 3     | 3      | 3          | 3   | 1                          |

### TORQUE SPECS\*

| Position | Ft.-lbs. | N-M |
|----------|----------|-----|
| 2        | 14.7     | 20  |
| 10       | 73.7     | 100 |
| 12       | 7.3      | 10  |
| 26       | 7.3      | 10  |
| 28       | 14.7     | 20  |
| 33       | 6.6      | 9   |
| 46       | 29.4     | 40  |
| 47       | 29.4     | 40  |
| 50       | 9.6      | 13  |
| 79       | 14.7     | 20  |
| 84       | 7.3      | 10  |

\*Decrease torque by 20% if threads are lubricated.