



Illustrated Parts List

Model Series

543400

TYPE NUMBERS
0048 Through 0142.

TABLE OF CONTENTS

Air Cleaner	7
Alternator	11
Blower-Housing	10
Camshaft	2
Carburetor	6
Controls	9
Crankcase Cover	4
Crankshaft	2
Cylinder	2
Cylinder Head	3
Electric Starter	11
Exhaust System	8
Flywheel	10
Fuel Supply	6
Governor Springs	9
Intake Manifold	4
Kit/Gasket Valve Set	5
Kit/Gasket Engine Set	5
Piston Group	2
Valves	3



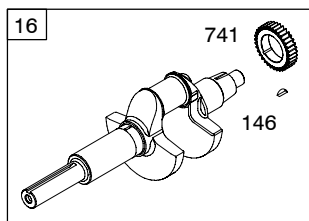
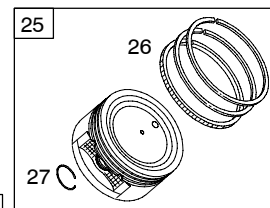
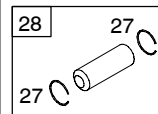
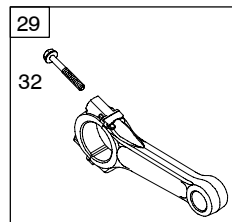
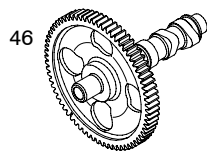
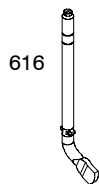
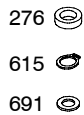
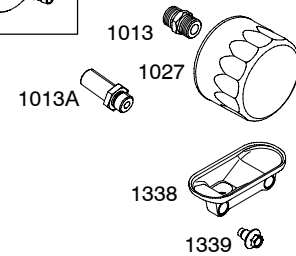
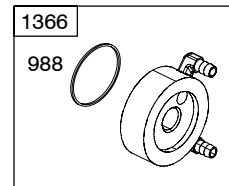
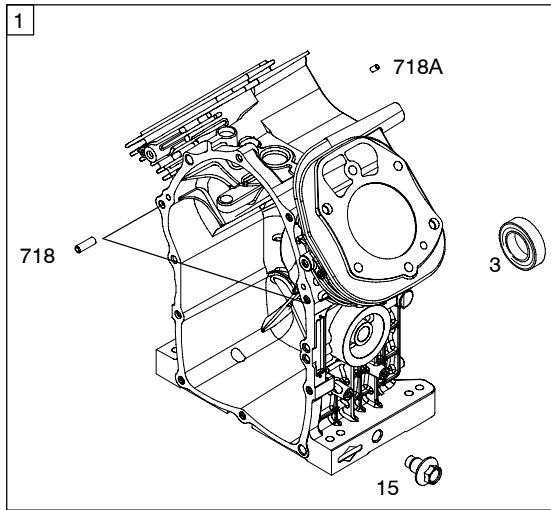
PRINTED IN U.S.A.

COPYRIGHT by BRIGGS & STRATTON CORPORATION
All rights reserved. No part of this material may be reproduced or transmitted, in any form or by any means, electronic or mechanical, including photocopying, recording or by any information storage and retrieval system, without permission in writing from Briggs & Stratton Corporation.

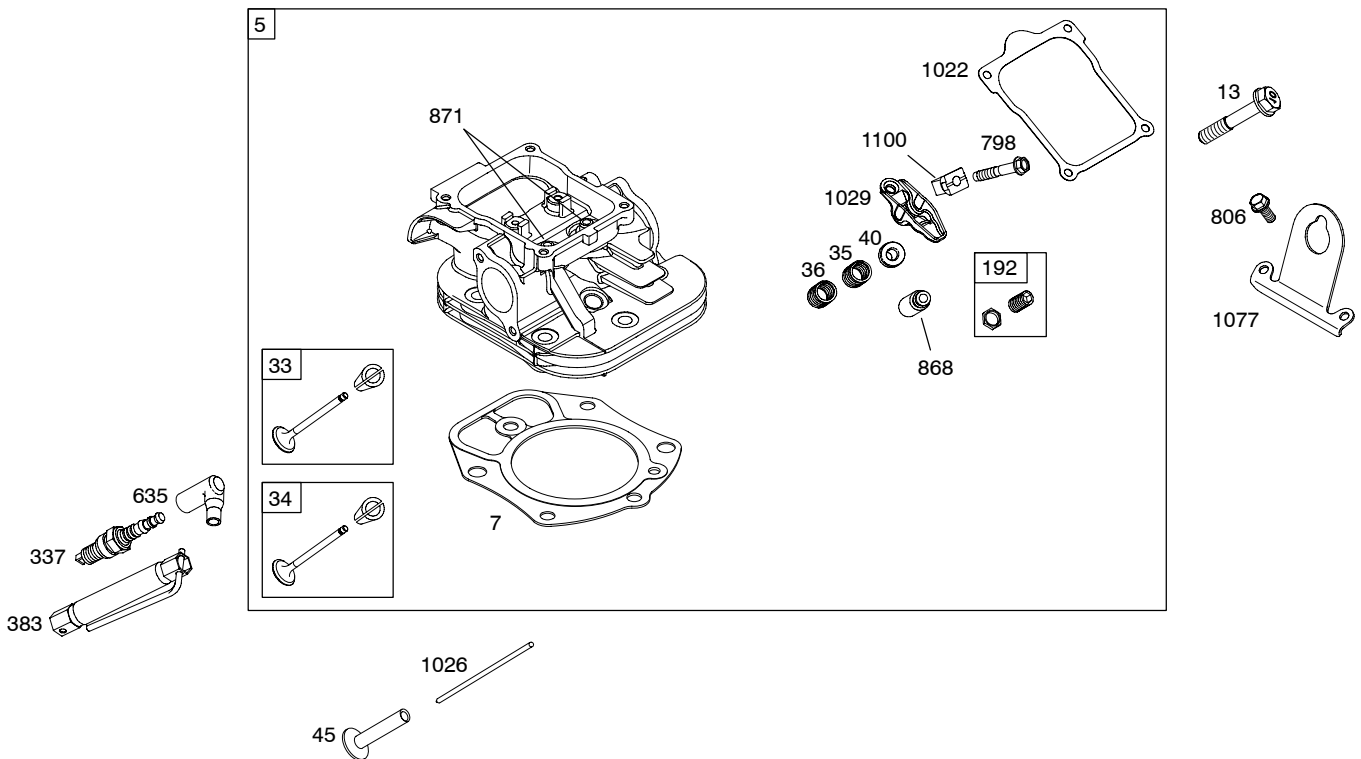
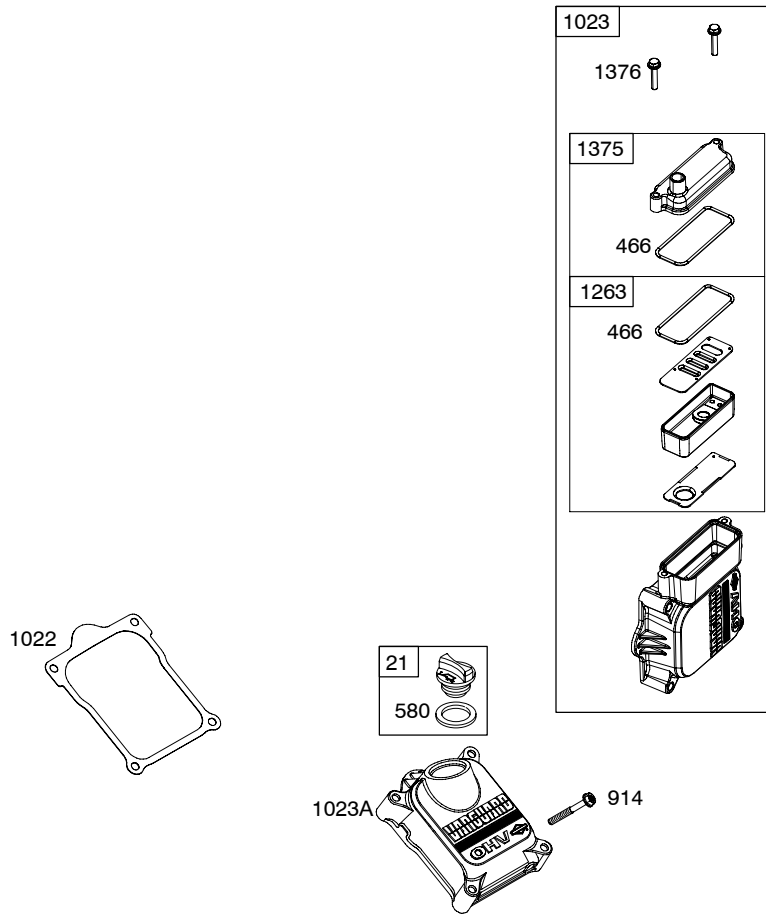
1058 OPERATOR'S MANUAL

1019 LABEL KIT

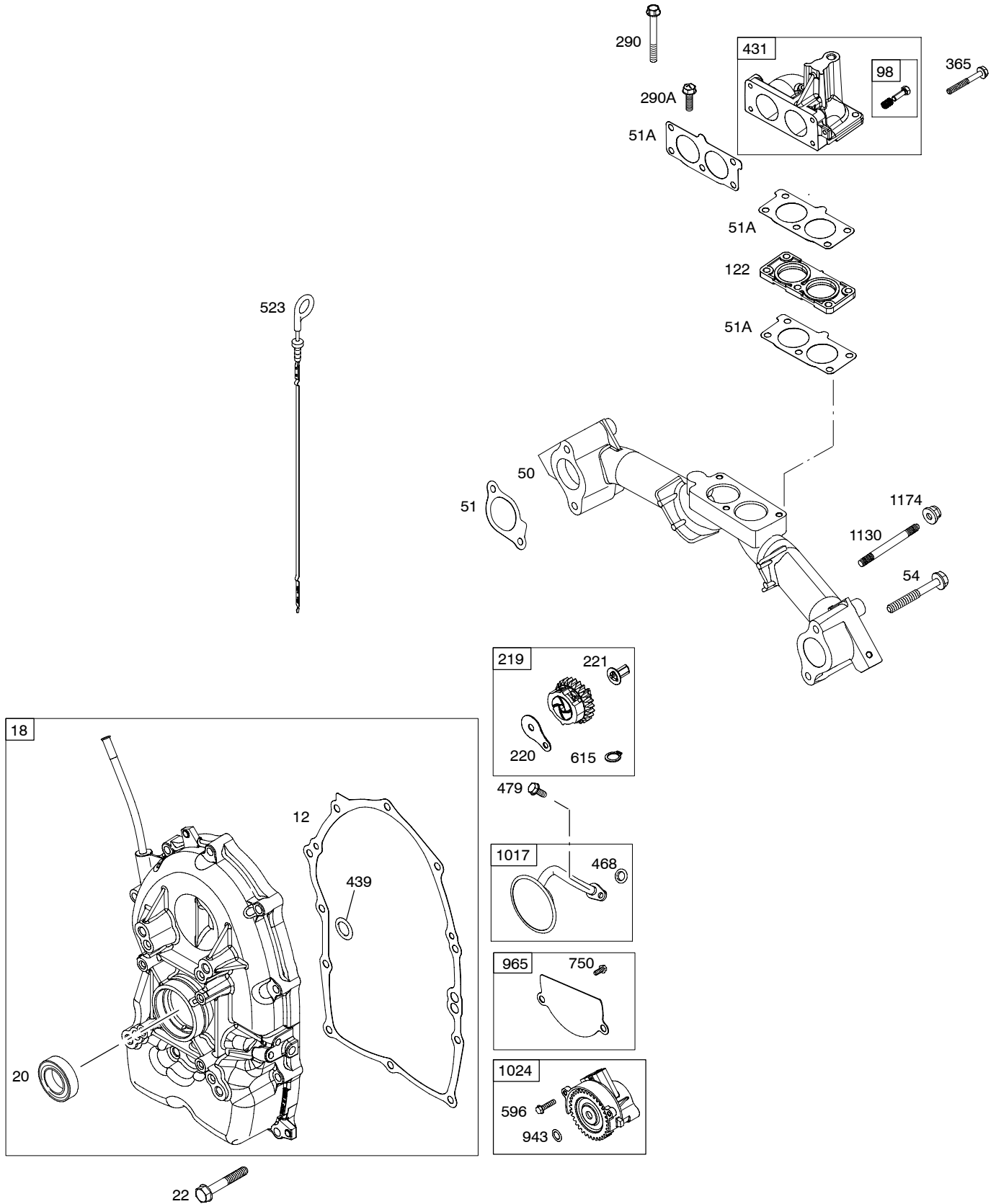
1036 LABEL EMISSIONS



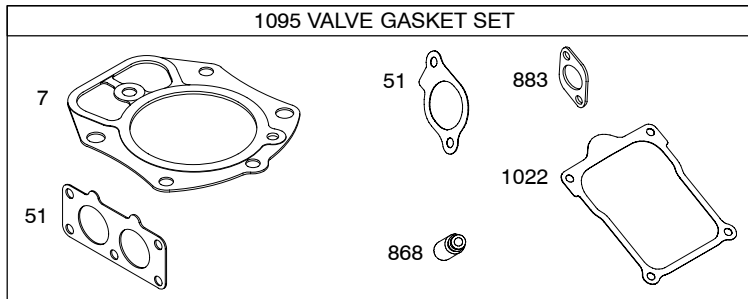
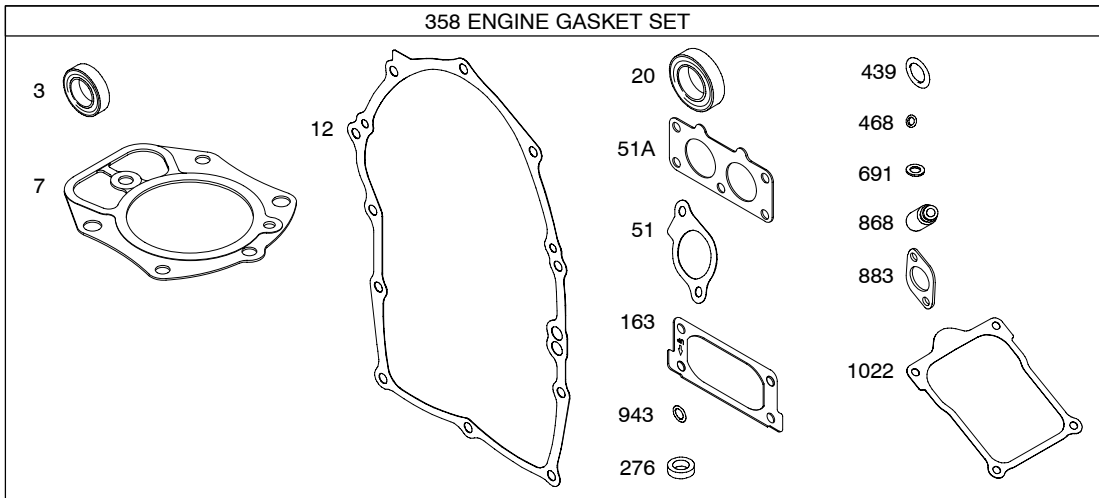
Illustrations cover a range of engines. Parts shown without corresponding text may not be used on your specific engine.
 5570-2 Assemblies include all parts shown in frames. 06/13/2005



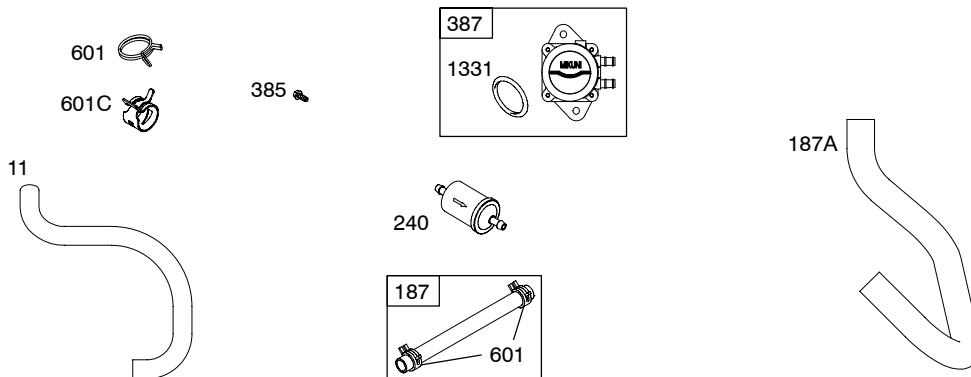
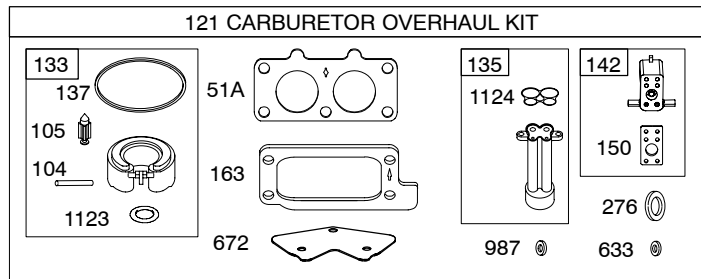
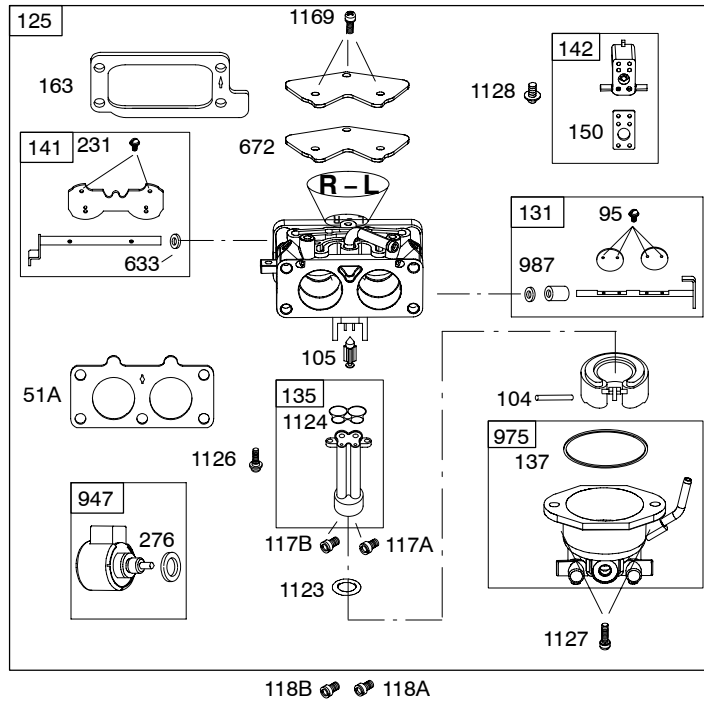
Illustrations cover a range of engines. Parts shown without corresponding text may not be used on your specific engine.
 5570-3 Assemblies include all parts shown in frames. 06/13/2005



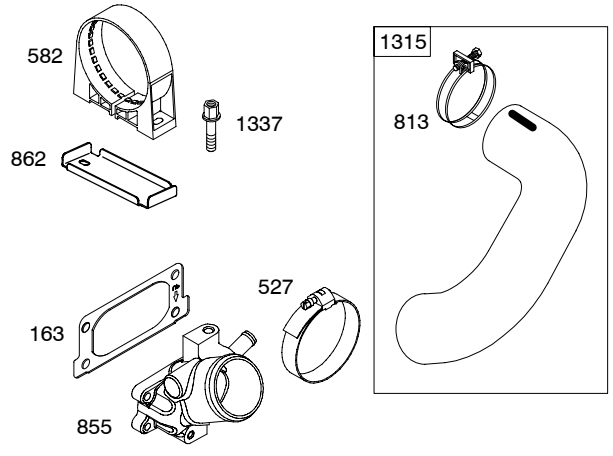
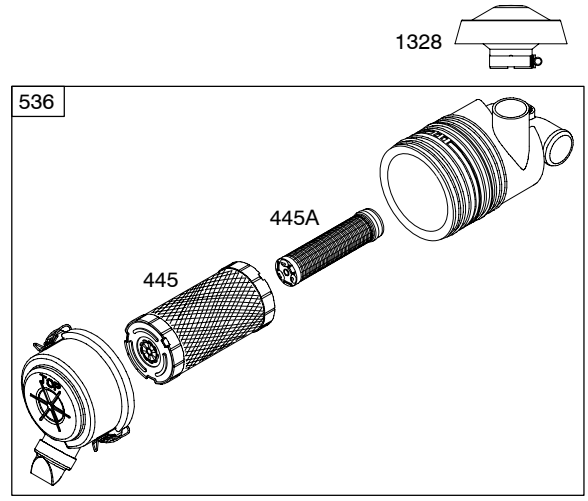
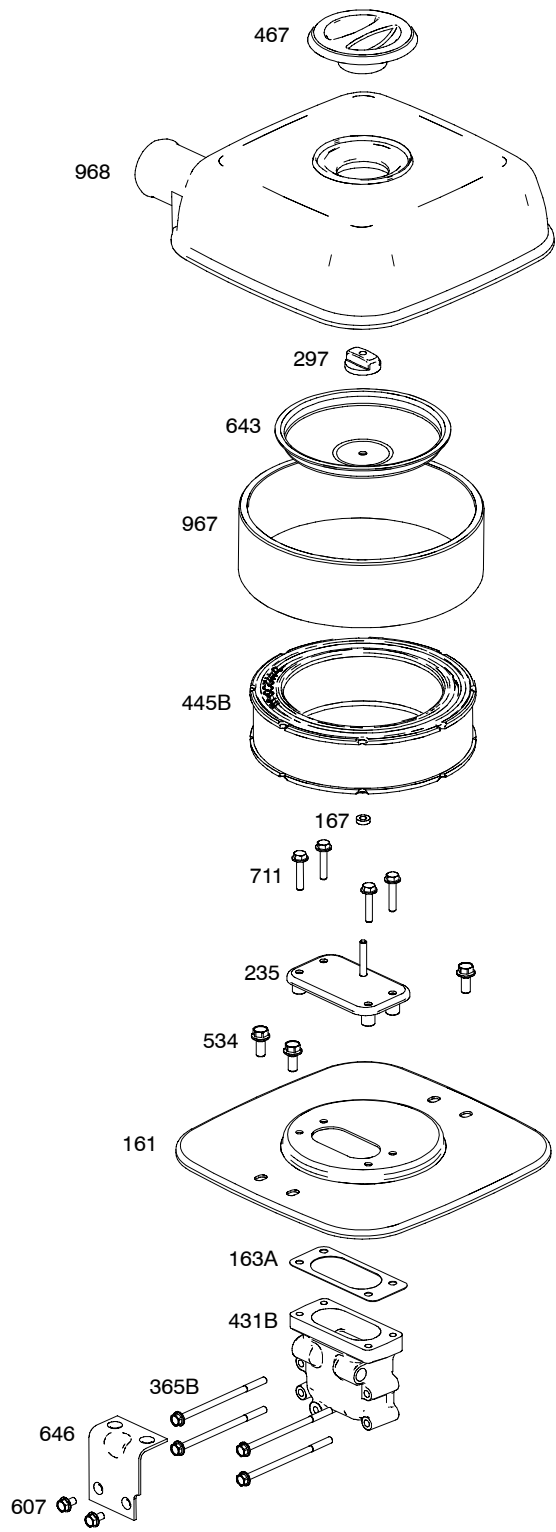
Illustrations cover a range of engines. Parts shown without corresponding text may not be used on your specific engine.
5570-4 Assemblies include all parts shown in frames. **06/13/2005**



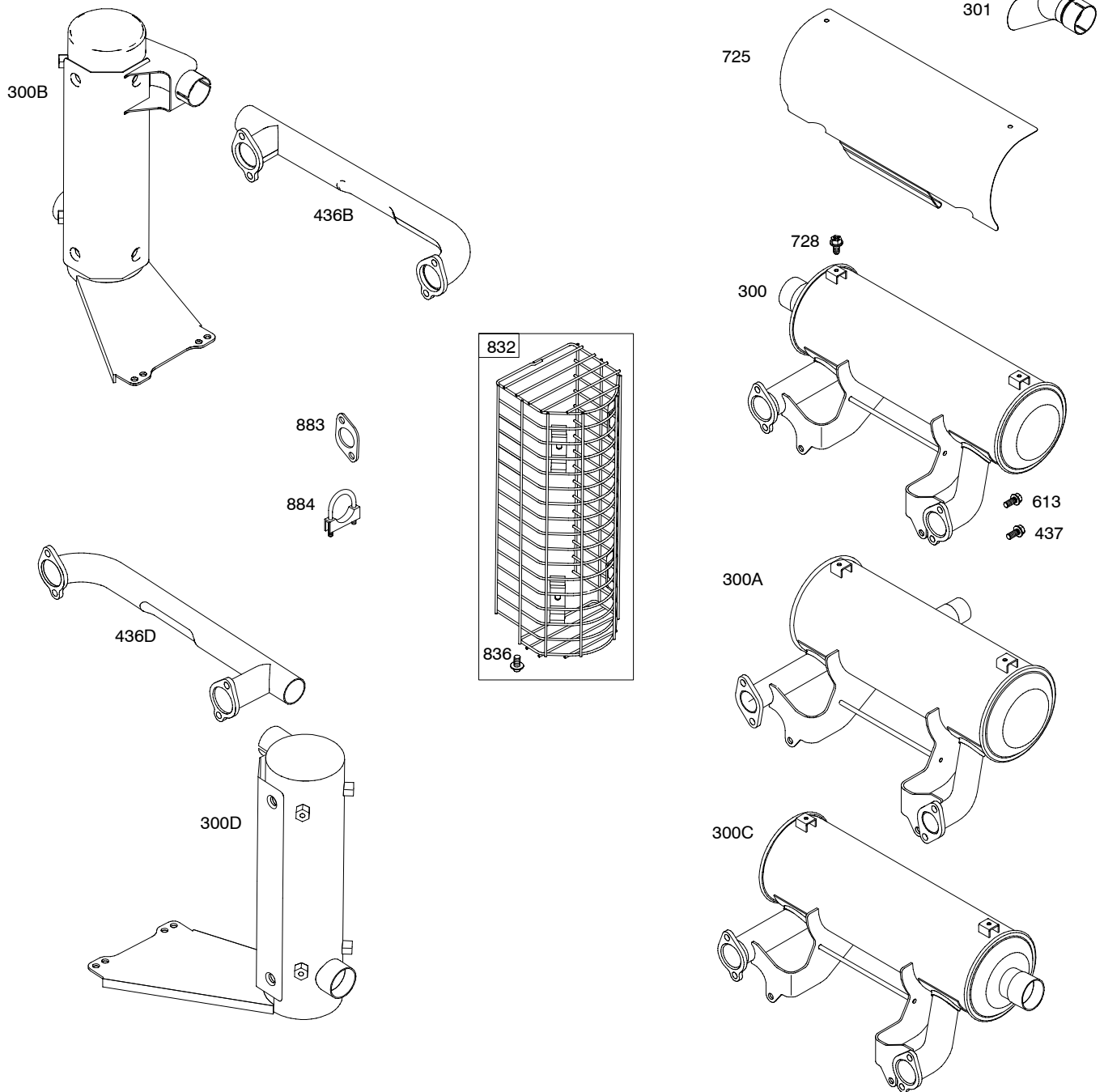
Illustrations cover a range of engines. Parts shown without corresponding text may not be used on your specific engine.



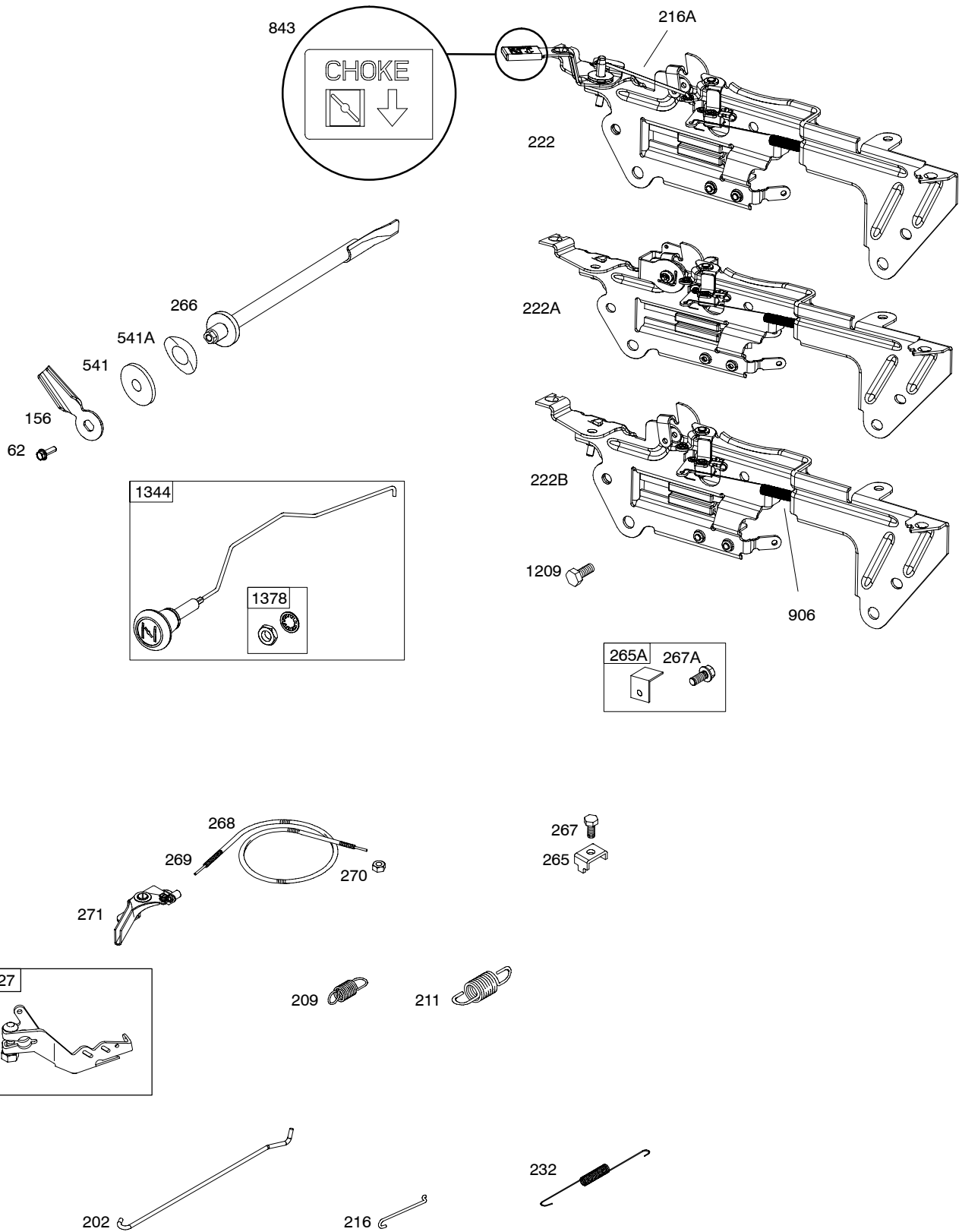
Illustrations cover a range of engines. Parts shown without corresponding text may not be used on your specific engine.
 5570-6 Assemblies include all parts shown in frames. 06/13/2005



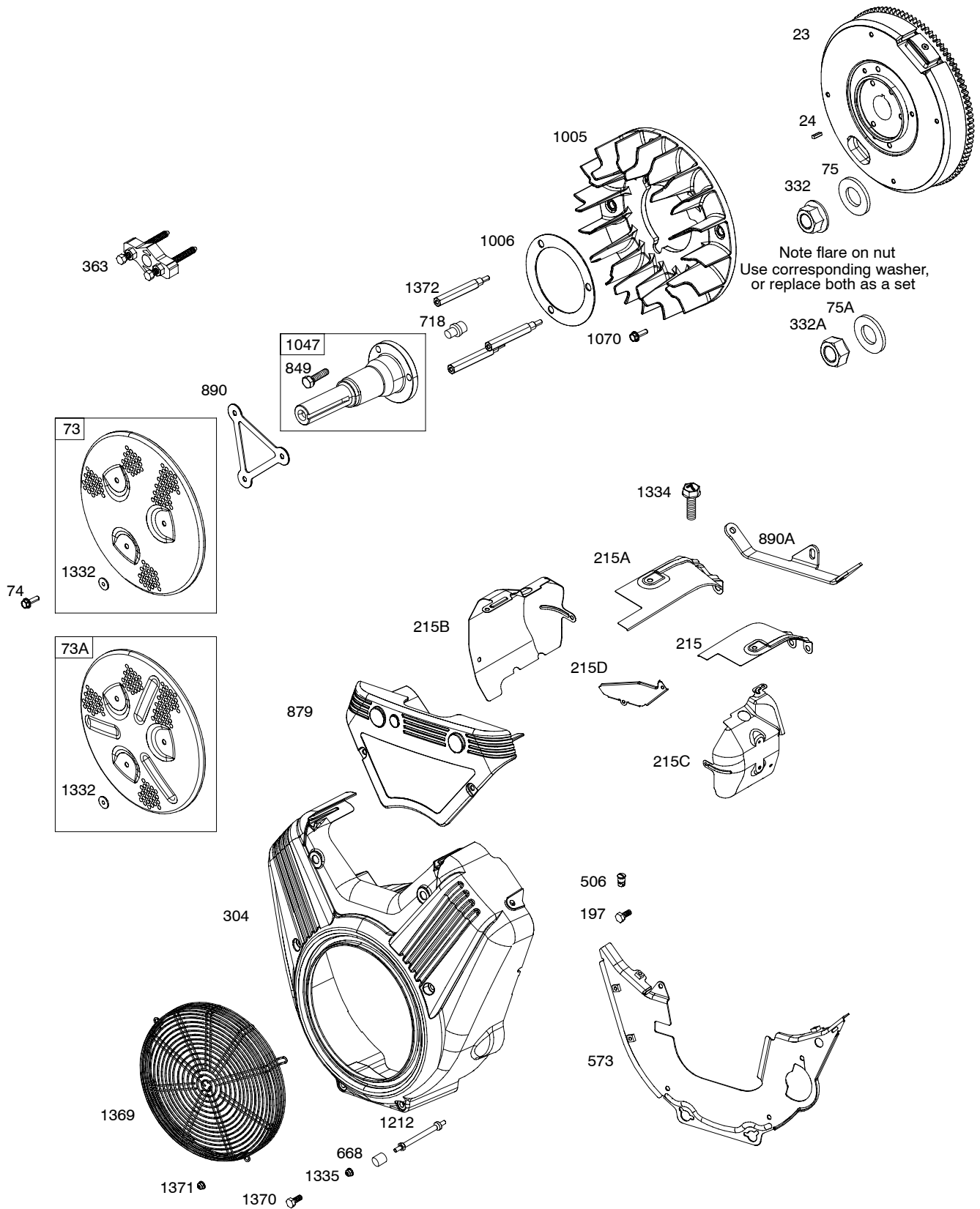
Illustrations cover a range of engines. Parts shown without corresponding text may not be used on your specific engine.
 5570-7 Assemblies include all parts shown in frames. 06/13/2005




Illustrations cover a range of engines. Parts shown without corresponding text may not be used on your specific engine.
5570-8 Assemblies include all parts shown in frames. 06/13/2005






Illustrations cover a range of engines. Parts shown without corresponding text may not be used on your specific engine.
5570-9 Assemblies include all parts shown in frames. 06/13/2005



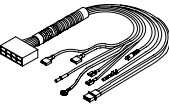
Illustrations cover a range of engines. Parts shown without corresponding text may not be used on your specific engine.

NOTE: All stators use a No. 1119 mounting screw. 

NOTE: The proper flywheel part number and/or the alternator magnet size will determine the alternator type or output. See repair instruction manual for additional information.


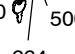
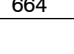

20 AMP
474E
877D 
526B 
501B 

1054 

789 

789A 

1336 

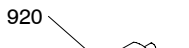
892 
990 
500 
664 

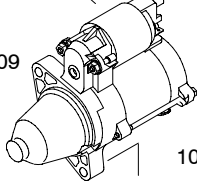
703 


344 


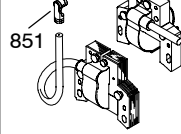
587 

527 

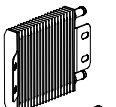
920 

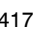
309 

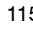
1009 



333 
851 

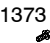
334 

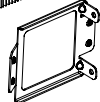
400 

417 

1155 

829 
601 

1373 

448 

Illustrations cover a range of engines. Parts shown without corresponding text may not be used on your specific engine.

543400

REF. NO.	PART NO.	DESCRIPTION	REF. NO.	PART NO.	DESCRIPTION	REF. NO.	PART NO.	DESCRIPTION
1	809971	Cylinder Assembly	23	841998	Flywheel (Used After Code Date 04083100)	54	807437	Screw (Intake Manifold) (Used Before Code Date 04030100)
3	★841596	Seal-Oil (Magneto Side)			----- Note -----	62	841524	Screw (Speed Adjustor Lever)
5	841666	Head-Cylinder (Cylinder 1) (Used After Code Date 04022900)			----- Note -----	73	841350	Screen-Rotating (Stub Shaft)
		----- Note -----	24	222698	Key-Flywheel			----- Note -----
		809900 Head-Cylinder (Cylinder 1) (Used Before Code Date 04030100)	25	809790	Piston Assembly			841840 Screen-Rotating
		841667 Head-Cylinder (Cylinder 2) (Used After Code Date 04022900)			----- Note -----	73A	842248	Screen-Rotating (Stub Shaft)
		809903 Head-Cylinder (Cylinder 2) (Used Before Code Date 04030100)	26	809972	Ring Set			----- Note -----
					----- Note -----			809945 Screen-Rotating
7	★△809730	Gasket-Cylinder Head			841932 Ring Set (.020" Oversize)	74	809947	Screw (Rotating Screen)
11	809736	Tube-Breather	27	807351	Lock-Piston Pin	75	691056	Washer (Flywheel)
12	★809727	Gasket-Crankcase	28	807361	Pin-Piston	75A	842548	Washer (Flywheel)
13	809784	Screw (Cylinder Head)	29	809275	Rod-Connecting	95	690718	Screw (Throttle Valve)
15	807392	Plug-Oil Drain	32	807363	Screw (Connecting Rod)	98	841842	Kit-Idle Speed (Used After Code Date 04040400)
16	809982	Crankshaft	33	809901	Valve-Exhaust			----- Note -----
		----- Note -----	34	809902	Valve-Intake			809320 Kit-Idle Speed (Used Before Code Date 04040500)
		841513 Crankshaft Used on Type No(s). 0076, 0114, 0115.	35	809374	Spring-Valve (Intake)	104	●690882	Pin-Float Hinge
		841529 Crankshaft Used on Type No(s). 0079, 0116, 0118, 0124, 0129.	36	809374	Spring-Valve (Exhaust)	105	●698537	Valve-Float Needle
		841683 Crankshaft Used on Type No(s). 0078, 0126, 0127, 0139.	40	807492	Retainer-Valve	117A	841616	Jet-Main (Standard)
18	842458	Cover-Crankcase	45	809785	Tappet-Valve	117B	842011	Jet-Main (Standard)
20	★841596	Seal-Oil(PTO Side)	46	809879	Camshaft			----- Note -----
21	809895	Cap-Oil Fill	50	841591	Manifold-Intake (Used After Code Date 04022900)			842012 Jet-Main (Standard) Used on Type No(s). 0130, 0137, 0140, 0142.
22	807362	Screw (Crankcase Cover/Sump)			----- Note -----			
					809869 Manifold- Intake (Used Before Code Date 04030100)			
			51	★△841592	Gasket-Intake (Used After Code Date 04022900)			
					----- Note -----			
					809871 Gasket-Intake (Used Before Code Date 04030100)			
			51A	●★△809910	Gasket-Intake			

★ Included in Engine Gasket Set-Ref. No.358.

● Included in Carburetor Overhaul Kit-Ref. No. 121.

◆ Included in Carburetor Gasket Set-Ref. No. 977.

△ Included in Valve Gasket Set-Ref. No 1095.

Illustrations cover a range of engines. Parts shown without corresponding text may not be used on your specific engine.

REF. NO.	PART NO.	DESCRIPTION	REF. NO.	PART NO.	DESCRIPTION	REF. NO.	PART NO.	DESCRIPTION
118A	842139	Jet–Main (High Altitude) (5000 Ft.) ----- Note ----- 841617 Jet–Main (High Altitude) (5000 Ft.) Used on Type No(s). 0130, 0137, 0140, 0141, 0142. 841618 Jet–Main (High Altitude) (9000 Ft.) Used on Type No(s). 0130, 0137, 0140, 0141, 0142.	192	807623	Adjuster–Rocker Arm	221	841026	Cup–Governor
			197	692539	Screw (Back Plate)	222	841492	Bracket–Control Used on Type No(s). 0076, 0078, 0100, 0110, 0111, 0112, 0113, 0114, 0115, 0119, 0121, 0122, 0127, 0129, 0131, 0132, 0139.
			202	841322	Link–Mechanical Governor	222A	841527	Bracket–Control Used on Type No(s). 0048, 0065, 0079, 0116, 0118.
			209	809874	Spring–Governor ----- Note ----- 841012 Spring– Governor Used on Type No(s). 0111, 0115, 0131, 0132, 0142. 841500 Spring– Governor Used on Type No(s). 0113, 0114. 841604 Spring– Governor Used on Type No(s). 0122, 0128, 0129, 0130. 841684 Spring– Governor Used on Type No(s). 0078, 0126, 0127, 0140. 842049 Spring– Governor Used on Type No(s). 0137, 0139.	222B	841528	Bracket–Control Used on Type No(s). 0120, 0126, 0128, 0130, 0137, 0140, 0141, 0142.
118B	841616	Jet–Main (High Altitude) (5000 Ft.) 842082 Jet–Main (High Altitude) (5000 Ft.) Used on Type No(s). 0130, 0137, 0140, 0141, 0142. 842081 Jet–Main (High Altitude) (9000 Ft.) Used on Type No(s). 0130, 0137, 0140, 0141, 0142.	211	809875	Spring–Governed Idle	227	809984	Lever–Governor Control
121	841548	Kit–Carburetor Overhaul	215	809728	Guide–Air (Cylinder 1)	231	690728	Screw (Choke Valve)
122	809880	Spacer–Carburetor	215A	809737	Guide–Air (Cylinder 2)	232	690545	Spring–Governor Link
125	841109	Carburetor	215B	809897	Guide–Air (Cylinder 2)	235	841848	Shield–Fuel Spray
131	841551	Kit–Throttle Shaft	215C	809738	Guide–Air (Cylinder 1)	239	697049	Switch–Oil Pressure Used on Type No(s). 0114. ----- Note ----- 841281 Switch–Oil Pressure
133	●841545	Float–Carburetor	215D	809739	Guide–Air (Valley)	240	691035	Filter–Fuel ----- Note ----- 695666 Filter–Fuel Used on Type No(s). 0114.
135	●841646	Tube–Fuel Transfer	216	809788	Link–Choke	265	691024	Clamp–Casing
137	●841651	Gasket–Float Bowl	216A	841671	Link–Choke	265A	841673	Clamp–Casing
141	841549	Kit–Choke Shaft	219	809426	Gear–Governor	266	841521	Control–Throttle
142	●841648	Nozzle–Carburetor (Standard)	220	841608	Washer (Governor Gear)	267	692539	Screw (Casing Clamp)
146	691639	Key–Timing				267A	841672	Screw (Casing Clamp)
150	●841649	Gasket–Nozzle				268	691025	Casing–Control Wire
156	841522	Lever–Speed Adjuster				269	691026	Wire–Control
161	841851	Base–Air Cleaner (Metal)				270	691027	Nut (Control Wire Casing)
163	●★807375	Gasket–Air Cleaner				271	692541	Lever–Control
163A	841852	Gasket–Air Cleaner						
167	841855	Seal–Air Cleaner Nut						
187	841011	Line–Fuel						
187A	809921	Line–Fuel						

★ Included in Engine Gasket Set–Ref. No.358.

● Included in Carburetor Overhaul Kit–Ref. No. 121.

◆ Included in Carburetor Gasket Set–Ref. No. 977.

△ Included in Valve Gasket Set–Ref. No 1095.

Illustrations cover a range of engines. Parts shown without corresponding text may not be used on your specific engine.

543400

REF. NO.	PART NO.	DESCRIPTION	REF. NO.	PART NO.	DESCRIPTION	REF. NO.	PART NO.	DESCRIPTION
276	809436	Washer-Sealing (Governor Control Lever) ----- Note ----- 841654 Washer-Sealing	400	841501	Cooler-Oil ----- Note ----- 808657 Cooler-Oil Used on Type No(s). 0114.	526B	691547	Screw (Regulator)(20 Amp)
290	809911	Screw (Intake Elbow)	415	690283	Plug Used on Type No(s). 0112, 0113, 0124.	527	690423	Clamp-Tube
290A	807421	Screw (Intake Elbow)	417	810074	Screw (Oil Cooler)	534	692062	Screw (Air Cleaner)
297	690939	Nut (Air Filter Retainer)	431	841539	Elbow-Intake	536	809670	Cleaner-Air
300	809983	Muffler	431B	841854	Elbow-Intake	541	841525	Washer (Speed Adjuster Lever)
300A	841530	Muffler	436B	841681	Manifold-Exhaust (Lo Mount) (Oil Filter Side)	541A	841526	Washer (Speed Adjuster Lever)
300B	841680	Muffler (Lo Mount) (Oil Filter Side)	436D	842263	Manifold-Exhaust (Lo Mount) (Starter Motor Side)	573	809956	Plate-Back
300C	841836	Muffler	437	809743	Screw (Exhaust Manifold)	580	★△809894	Seal-O Ring (Oil Fill Cap)
300D	842262	Muffler (Lo Mount) (Starter Motor Side)	439	692154	Seal-O Ring (Crankcase Cover/Sump)	582	809878	Clamp-Air Cleaner
301	841518	Pipe-Exhaust	445	841497	Filter-Air Cleaner Cartridge	587	807386	Clamp-Cable
304	809959	Housing-Blower ----- Note ----- 841542 Housing- Blower (Oil Cooler)	445A	821136	Filter-Air Cleaner Cartridge	596	691492	Screw (Oil Pump)
309	807383	Motor-Starter (DC)(10-16 AMP)	445B	692519	Filter-Air Cleaner Cartridge	601	841499	Clamp-Hose ----- Note ----- 841502 Clamp-Hose
332	807356	Nut (Flywheel)	448	841504	Bracket-Oil Cooler ----- Note ----- 842223 Bracket- Oil Cooler Used on Type No(s). 0114.	601C	691038	Clamp-Hose
332A	842222	Nut (Flywheel)	466	841301	Seal-O Ring (Breather Assembly)	607	692539	Screw (Air Cleaner Brace)
333	841279	Armature-Magneto (Used After Code Date 04083100) ----- Note ----- 691060 Armature- Magneto (Used Before Code Date 04090100)	467	841846	Knob-Air Cleaner	613	809743	Screw (Muffler) ----- Note ----- 692062 Screw (Muffler) Used on Type No(s). 0114, 0115.
334	692066	Screw (Magneto Armature)	468	★690690	Seal-O Ring (Oil Pump Screen)	615	809533	Retainer-Governor Shaft
337	692051	Plug-Spark	474E	696579	Alternator (20 Amp)	616	809433	Crank-Governor
344	692539	Screw (Cable Clamp)	479	807084	Screw (Oil Pump Screen)	633	●690722	Seal-Choke/Throttle Shaft
358	841122	Gasket Set-Engine	500	691086	Washer (Key Switch)	635	692076	Boot-Spark Plug
363	19203	Puller-Flywheel	501B	691573	Regulator (20 Amp)	643	841850	Retainer-Air Filter
365	841853	Screw (Carburetor)	506	809957	Screw (Carburetor Cover)	646	841849	Brace-Air Cleaner
383	19374	Wrench-Spark Plug	523	841007	Dipstick (Standard)	664	691087	Nut (Key Switch)
385	809876	Screw (Fuel Pump)				668	841974	Spacer
387	809669	Pump-Fuel				672	●841655	Gasket-Carburetor Plate
						691	★809287	Seal-Governor Shaft
						703	★807116	Clip

★ Included in Engine Gasket Set-Ref. No.358.

● Included in Carburetor Overhaul Kit-Ref. No. 121.

◆ Included in Carburetor Gasket Set-Ref. No. 977.

△ Included in Valve Gasket Set-Ref. No 1095.

Illustrations cover a range of engines. Parts shown without corresponding text may not be used on your specific engine.

REF. NO.	PART NO.	DESCRIPTION	REF. NO.	PART NO.	DESCRIPTION	REF. NO.	PART NO.	DESCRIPTION
711	691492	Screw (Carburetor Shield)	890	809987	Bracket-Support	1047	841304	Shaft-Stub
718	690959	Pin-Locating ----- Note ----- 841581 Pin-Locating (32 mm) 690740 Pin-Locating (28 mm)	890A	841614	Bracket-Support			Used on Type No(s). 0114, 0115.
718A	809508	Pin-Locating	892	692318	Switch-Key	1054	807340	Tie-Cable
725	841132	Shield-Heat	906	690707	Spring-Torsion	1058	275723	Operator's Manual ----- Note ----- M6668 Operator's Manual Used on Type No(s). 0079.
728	692067	Screw (Heat Shield)	914	807357	Screw (Rocker Cover)	1070	807435	Screw (Flywheel Fan)
741	809432	Gear-Timing	920	825418	Solenoid-Starter	1077	809729	Bracket-Lifting
750	692539	Screw (Oil Pump Cover)	943	★690681	Seal-O Ring (Oil Pump Cover)(Oil Pump Cover)	1095	841123	Gasket Set-Valve
789	809906	Harness-Wiring	947	841546	Solenoid-Fuel	1100	690973	Pivot-Rocker Arm
789A	809967	Harness-Wiring	965	809422	Cover-Oil Pump	1119	691552	Screw (Alternator)
798	691492	Screw (Rocker Arm)	967	692520	Filter-Pre Cleaner	1123	●841653	Seal-O Ring (Solenoid Retainer)
806	692062	Screw (Lifting Bracket)	968	841847	Cover-Air Cleaner	1124	●841647	Seal-O Ring (Fuel Transfer Tube)
813	807376	Clamp	975	841650	Bowl-Float	1126	841619	Screw (Fuel Transfer Tube)
829	841503	Hose-Oil	987	●690722	Seal-Throttle Shaft	1127	841621	Screw (Float Bowl)
832	841682	Guard-Muffler	988	841506	Gasket-Oil Adapter	1128	841620	Screw (Carburetor Nozzle)
836	692539	Screw (Muffler Guard)	990	691959	Key Set	1130	841590	Stud (Intake Manifold) (Used After Code Date 04022900)
843	809672	Sleeve-Lever	1005	809950	Fan-Flywheel	1155	806647	Washer (Oil Cooler)
849	691110	Screw (Stub Shaft) Used on Type No(s). 0114, 0115.	1006	809999	Retainer-Fan	1169	841620	Screw (Carburetor Cover Plate)
851	493880	Terminal-Spark Plug	1009	690711	Screw (Starter Motor)	1174	842067	Nut (Intake Manifold) (Used After Code Date 04022900)
855	841902	Adapter-Air Cleaner	1013	809505	Nipple-Oil Filter	1209	692539	Screw (Speed Control Panel)
862	841886	Strap/Stud-Air Cleaner Mounting	1013A	841602	Nipple-Oil Filter			
868	★Δ691963	Seal-Valve	1017	809421	Screen-Oil Pump			
871	692057	Bushing-Valve Guide	1019	841305	Kit-Label			
877D	698092	Wire/Connector- Alternator	1022	★Δ809732	Gasket-Rocker Cover			
879	809955	Cover-Carburetor	1023	809789	Cover-Rocker			
883	★Δ809872	Gasket-Exhaust	1023A	809731	Cover-Rocker			
884	841968	Clamp-Muffler	1024	809396	Pump-Oil			
			1026	809783	Rod-Push (Aluminum)			
			1027	492932	Filter-Oil (2 1/4" Long)			
			1029	807323	Arm-Rocker			
			1036	841813	Label-Emissions (Used After Code Date 04070100)			
					----- Note ----- 841112 Label- Emissions (Used Before Code Date 04063000)			

★ Included in Engine Gasket Set-Ref. No.358.

● Included in Carburetor Overhaul Kit-Ref. No. 121.

◆ Included in Carburetor Gasket Set-Ref. No. 977.

Δ Included in Valve Gasket Set-Ref. No 1095.

Illustrations cover a range of engines. Parts shown without corresponding text may not be used on your specific engine.

543400

REF. NO.	PART NO.	DESCRIPTION	REF. NO.	PART NO.	DESCRIPTION	REF. NO.	PART NO.	DESCRIPTION
1212	809958	Stud (Blower Housing)	1335	690939	Nut (Blower Housing) Used on Type No(s). 0112.	1371	841537	Nut (Flywheel Fan Guard)
1263	841324	Reed-Breather				1372	809946	Stud (Rotating Screen)
1315	809905	Hose-Air Cleaner	1336	841015	Shield-Wire Protective	1373	692539	Screw (Oil Cooler Bracket)
1328	809907	Cap-A/C Rain	1337	807382	Screw Air Cleaner Bracket	1375	841550	Cover-Breather Reed
1331	809934	Seal-O Ring (Fuel Pump)	1338	809334	Tray-Oil Drip	1376	806421	Screw (Breather/Reed Cover)
1332	806647	Washer (Rotating Screen)	1339	807435	Screw Oil Drip Tray	1378	841615	Washer/Nut Set
1334	692539	Screw (Air Guide) (12mm Long)	1344	841613	Cable-Choke			
		----- Note -----	1366	841510	Diverter-Oil Cooler			
		807435 Screw (Air Guide) (20mm Long)	1369	841612	Guard-Flywheel Fan			
		692062 Screw (Air Guide) (18mm Long)	1370	692539	Screw (Flywheel Fan Guard)			
		690677 Screw (Air Guide) (12mm Long)						

★ Included in Engine Gasket Set-Ref. No.358.

● Included in Carburetor Overhaul Kit-Ref. No. 121.

◆ Included in Carburetor Gasket Set-Ref. No. 977.

△ Included in Valve Gasket Set-Ref. No 1095.

Illustrations cover a range of engines. Parts shown without corresponding text may not be used on your specific engine.