



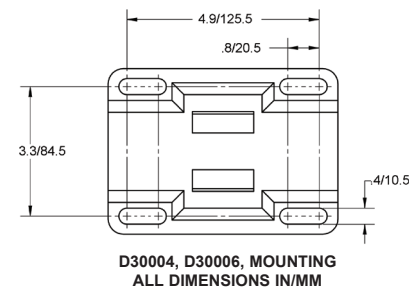
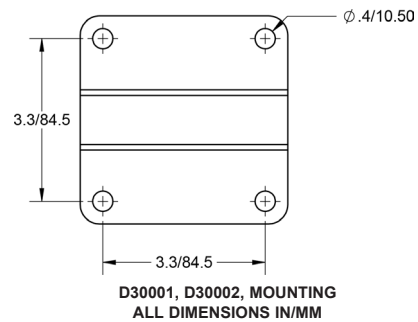
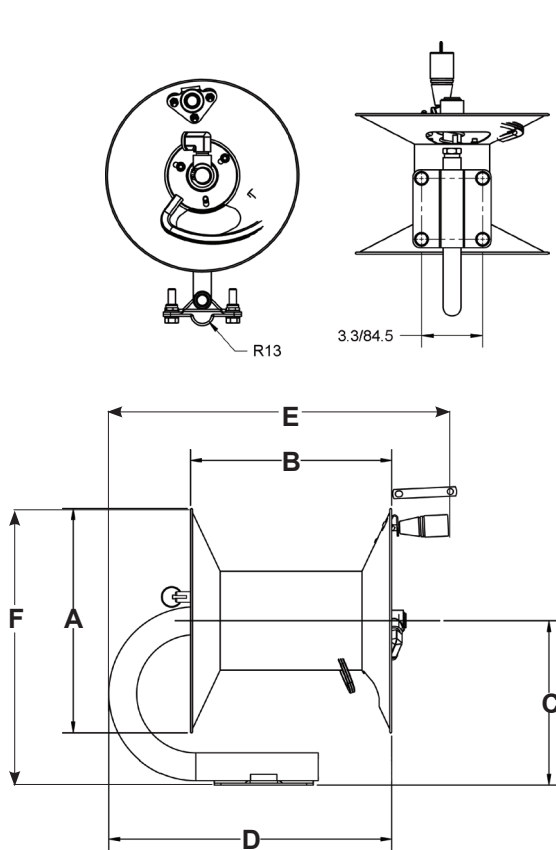
**SPECIFICATIONS**

PART NUMBER	D30001	D30002	D30004	D30006
3/8" Hose Capacity	50 ft.	100 ft.	150 ft.	200 ft.
Swivel Pressure Rating	4000 PSI			
Inlet	3/8" NPT-F		3/8" NPT-F	
Outlet	3/8" NPT-F			
Max. Temp	225° F			

**FEATURES / BENEFITS**

- Direct hand-crank rewind with locking pin
- Solid steel construction
- Durable powdercoated finish
- Full flow swivel brass joint

**DIMENSIONS (in/mm)**

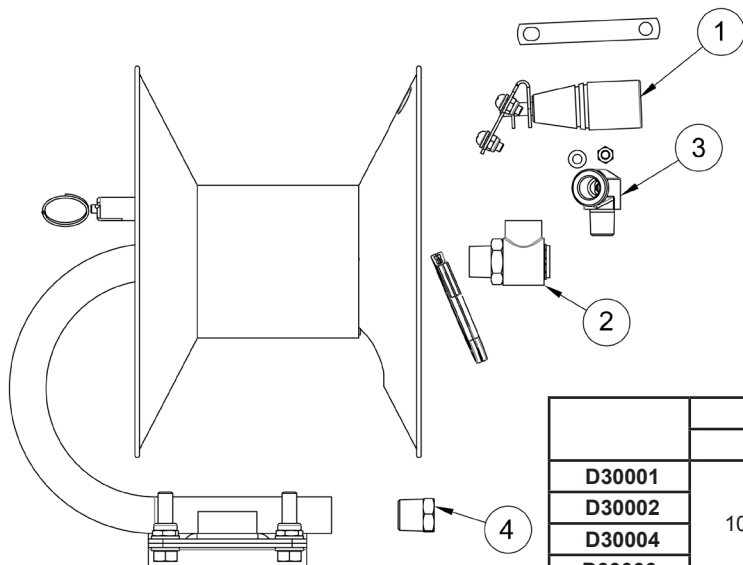


	Dimensions (in/mm)					
	A	B	C	D	E	F
D30001	10.5/267	7.7/195	7.6/192	11.0/281	14.4/365	12.8/326
D30002	10.5/267	12.0/308	7.6/192	15.2/386	18.5/471	12.8/326
D30004	13.4/340	10.1/257	9.5/243	14.4/367	17.1/450	16.2/413
D30006	13.4/340	12.2/311	9.5/243	15.9/403	19.2/486	16.2/413



General Pump  
is a member of  
the Interpump Group



**PARTS LIST**

	Item			
	1	2	3	4
D30001	100055	2103241	D10116	2510262
D30002				
D30004				
D30006				
2100278	Repair kit for 2103241			
2100530	Lock pin repair kit			

**ASSEMBLY INSTRUCTIONS**

1. Connect the handle to the flange. Nuts go on handle side of flange.
2. Use (4) 3/8" or 10 mm bolts when securing the hose reel to ceiling or wall.
3. Use the provided nuts, bolts and mounting bracket when securing hose reel to a cart.
4. Use thread sealant (not provided) on inlet threads and on outlet hose (not provided).
5. The hose reel is ready for operation.

**SAFTY PRECAUTIONS**

1. Make sure incoming pressure does not exceed the rated pressure.
2. Use proper eye protection when assembling and using the hose reel.
3. Assemble the hose reel on a clean workbench free of debris and moisture.
4. Use soap and water when checking for air leaks.
5. Keep children away from work area.

**WARNING!**

*Exposure of skin directly to pressurized air or fluids could result in severe bodily injury!*