



DOSATRON®

WATER POWERED DOSING TECHNOLOGY

SCHEMATICS

Dosatron Liquid Dispenser Model # D20S – 100 GPM

1:500 – 1:50

2 – 120 PSI

Suggested Installation:

200 mesh/80 micron water filter prior to unit

One-way check valve downstream from unit for water hammer protection

Suggested Maintenance Interval:

Replace injection seals every 12 months

-

DOSATRON SALES & SERVICE - NORTH & CENTRAL AMERICA

Dosatron International, Inc.

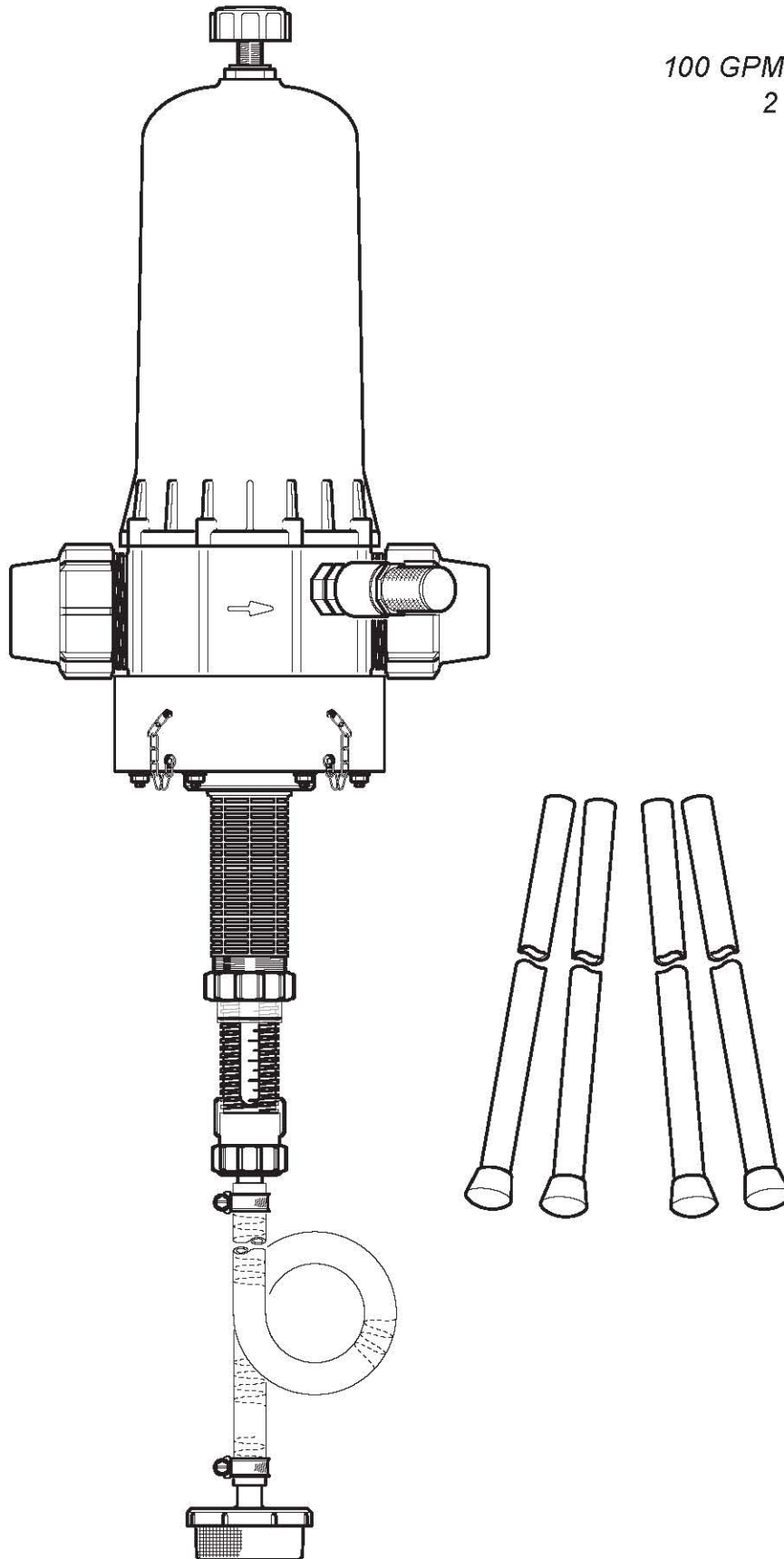
Phone: 727-443-5404 Service: (800) 523-8499

Fax: 727-447-0591

www.dosatronUSA.com

D20S
11/03

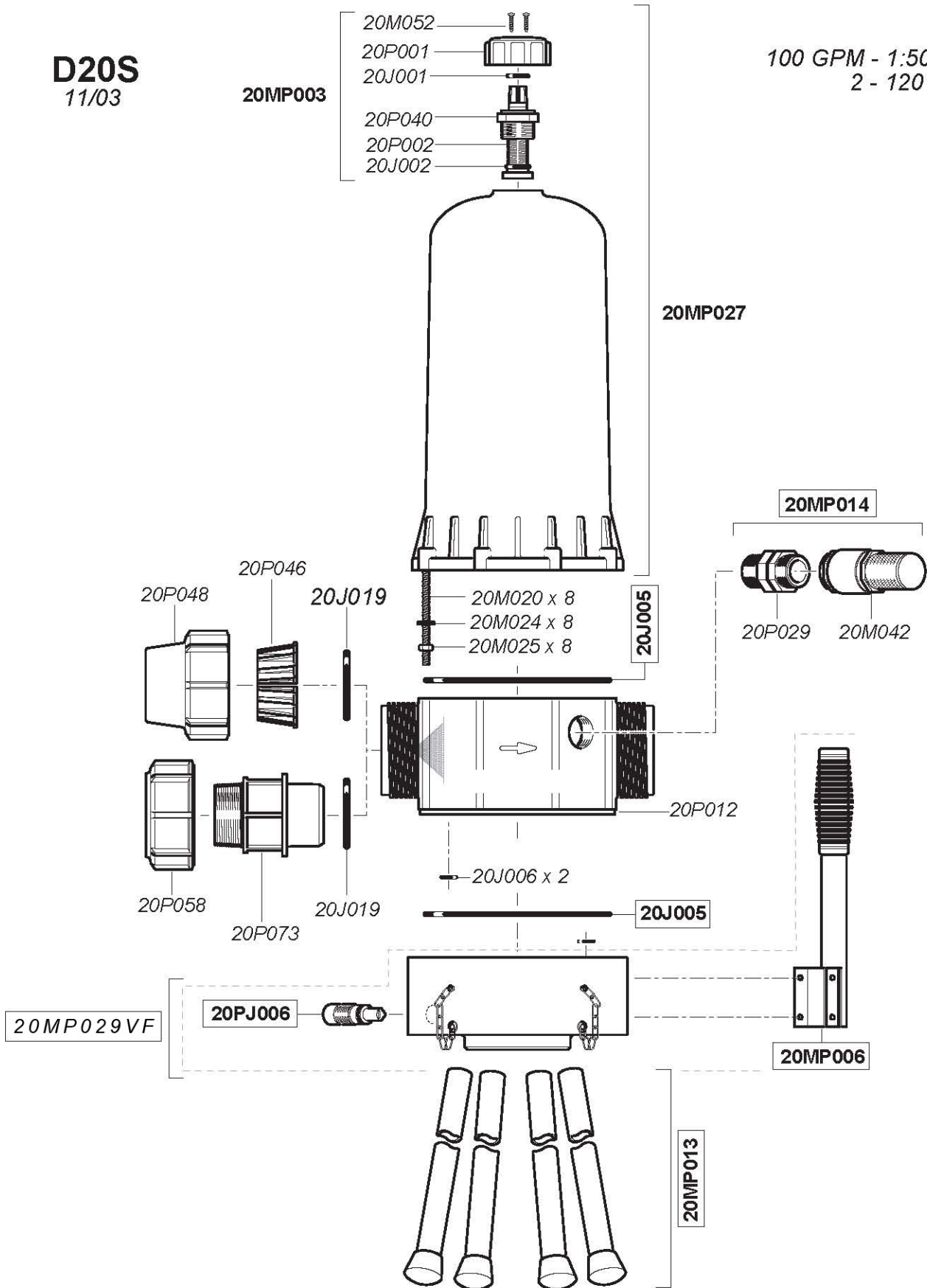
100 GPM - 1:500 - 1:50
2 - 120 psi



20PJ030 - Injection Seal Kit

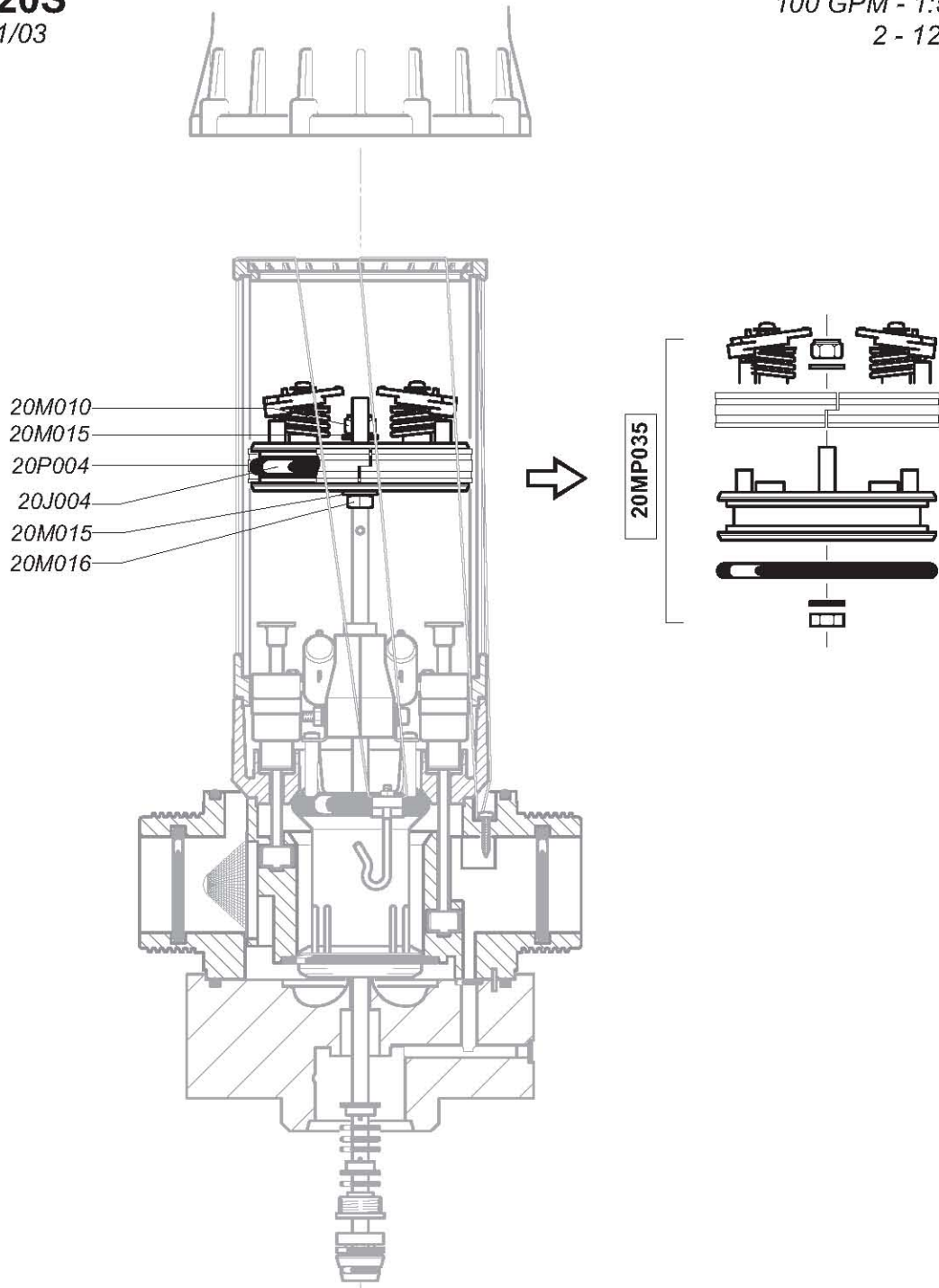
D20S
11/03

100 GPM - 1:500 - 1:50
2 - 120 psi



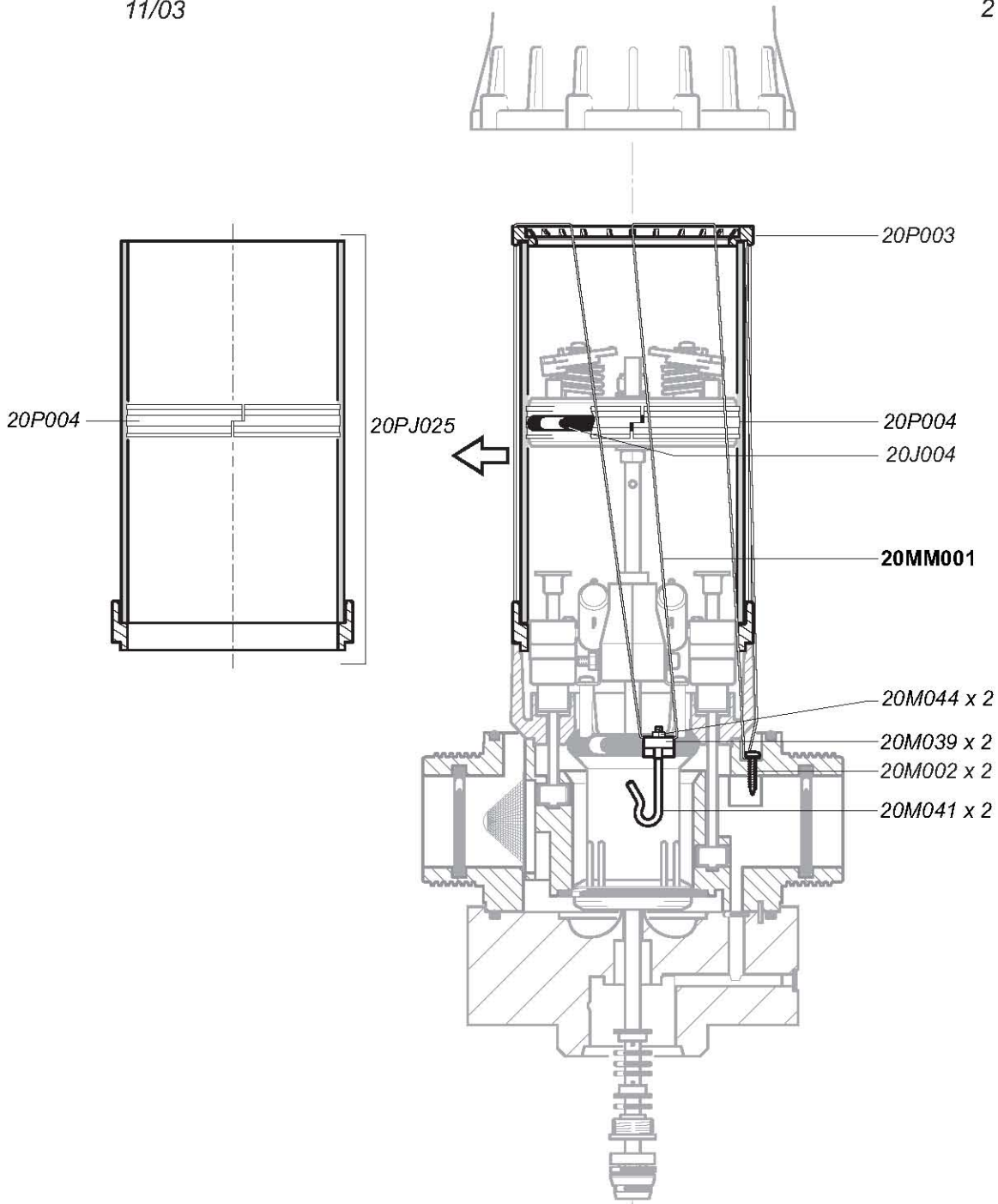
D20S
11/03

100 GPM - 1:500 - 1:50
2 - 120 psi



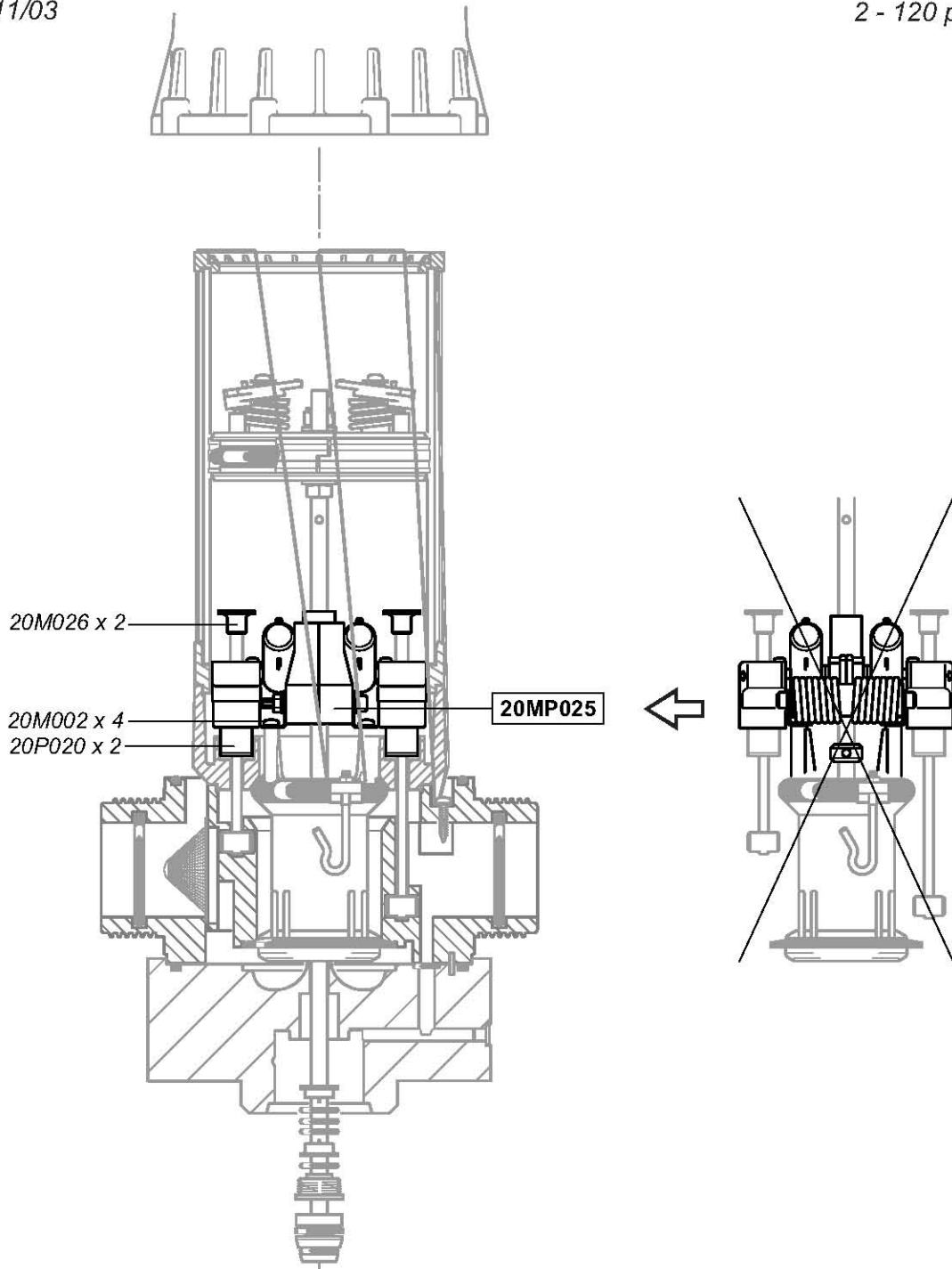
D20S
11/03

100 GPM - 1:500 - 1:50
2 - 120 psi



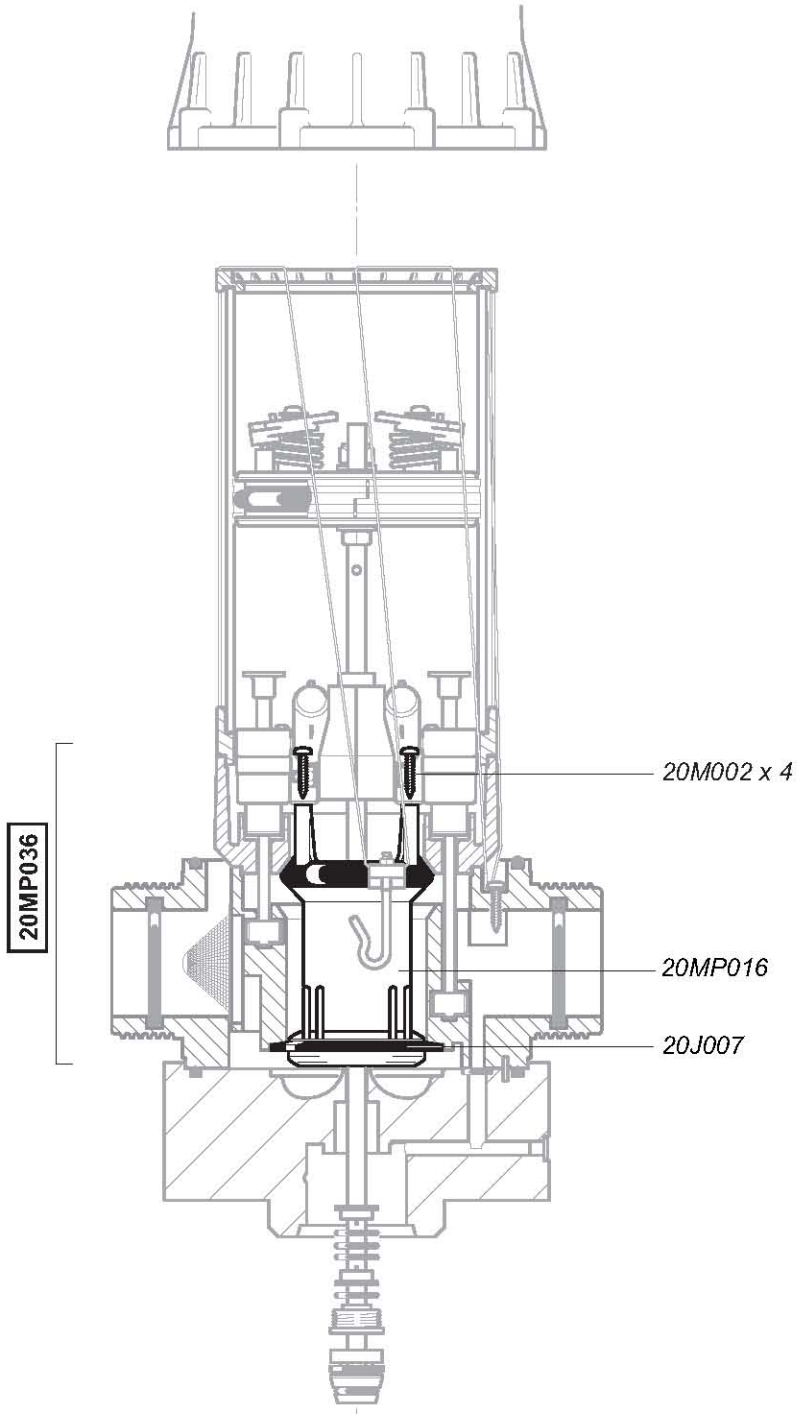
D20S
11/03

100 GPM - 1:500 - 1:50
2 - 120 psi



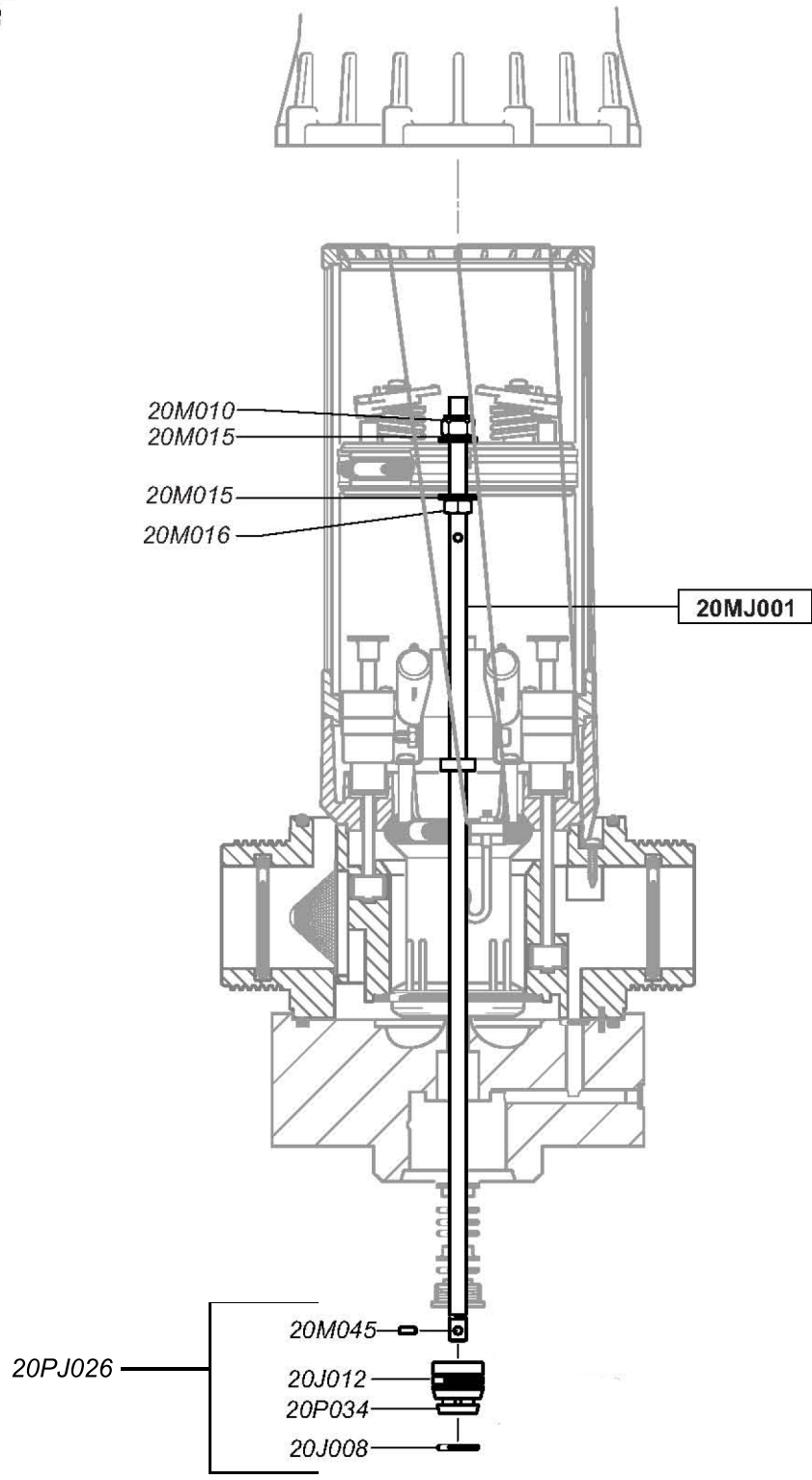
D20S
11/03

100 GPM - 1:500 - 1:50
2 - 120 psi



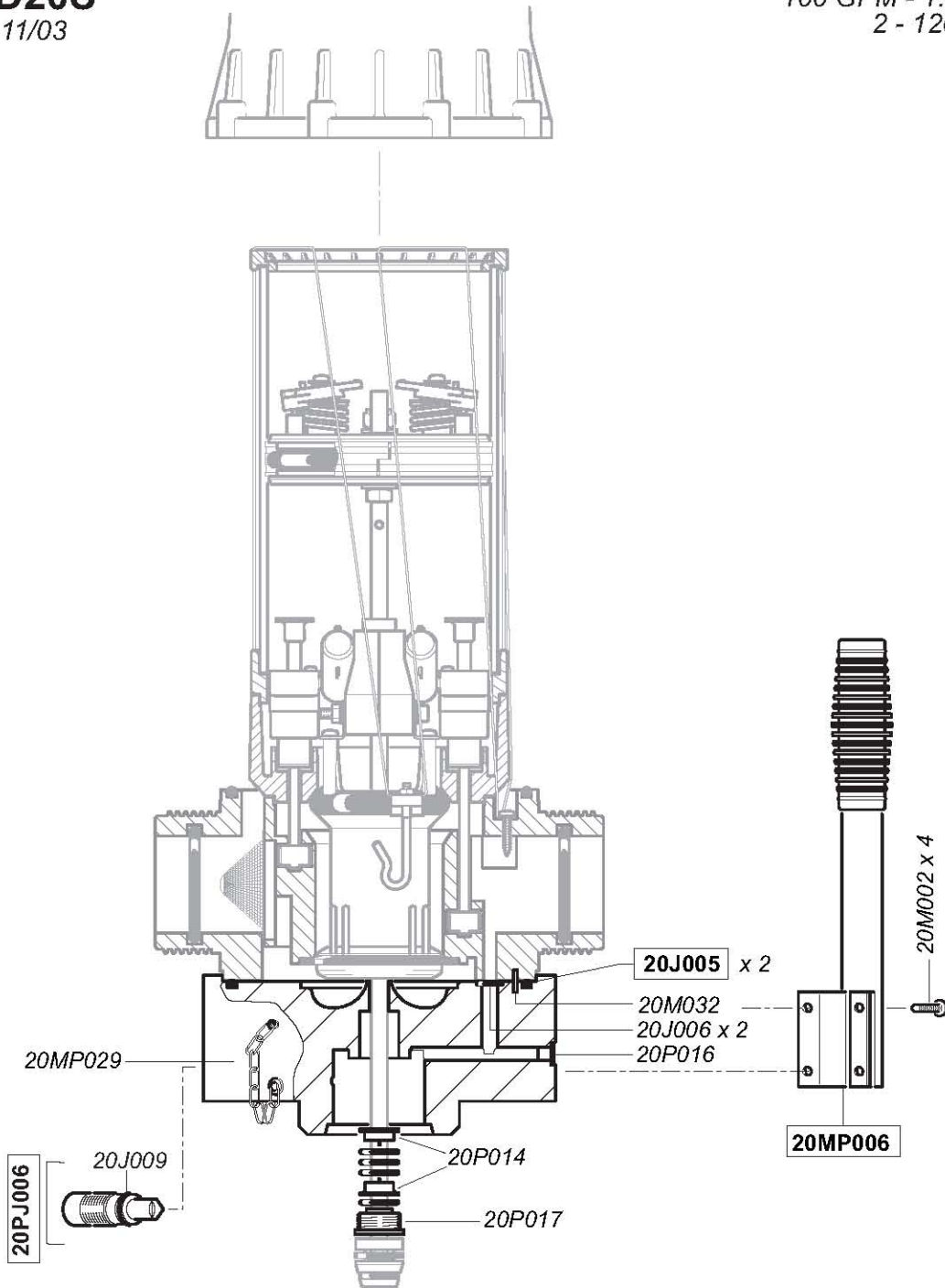
D20S
11/03

100 GPM - 1:500 - 1:50
2 - 120 psi



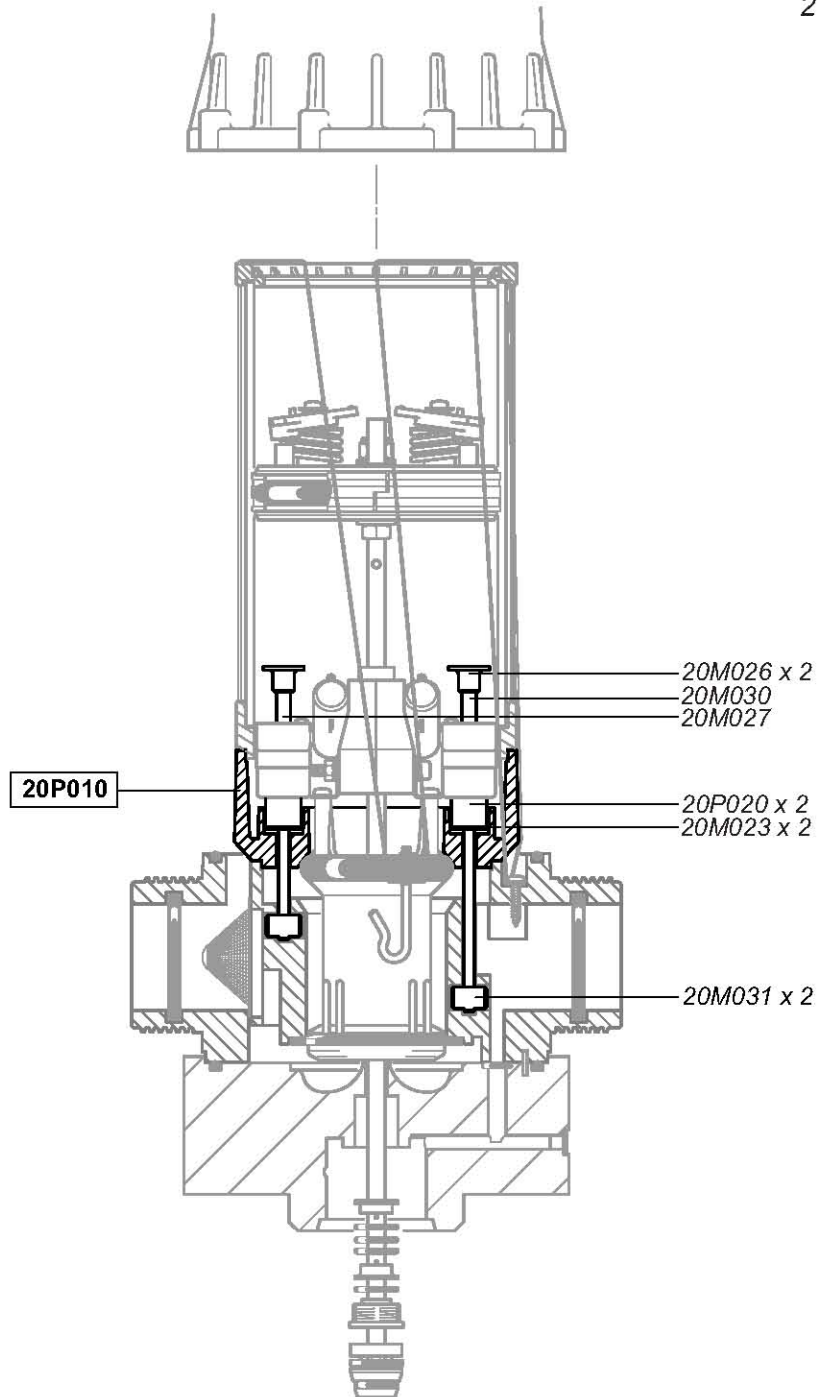
D20S
11/03

100 GPM - 1:500 - 1:50
2 - 120 psi



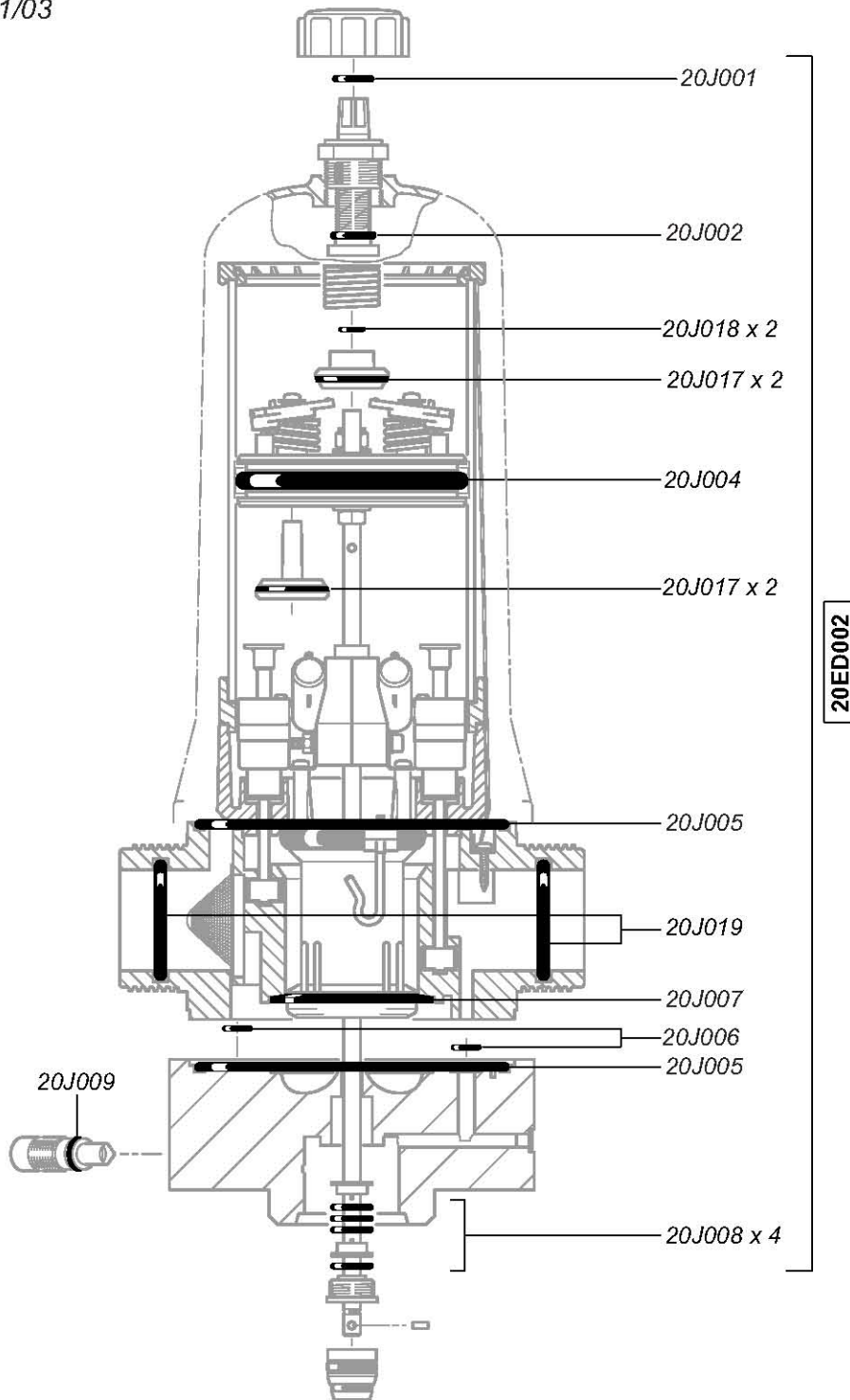
D20S
11/03

100 GPM - 1:500 - 1:50
2 - 120 psi



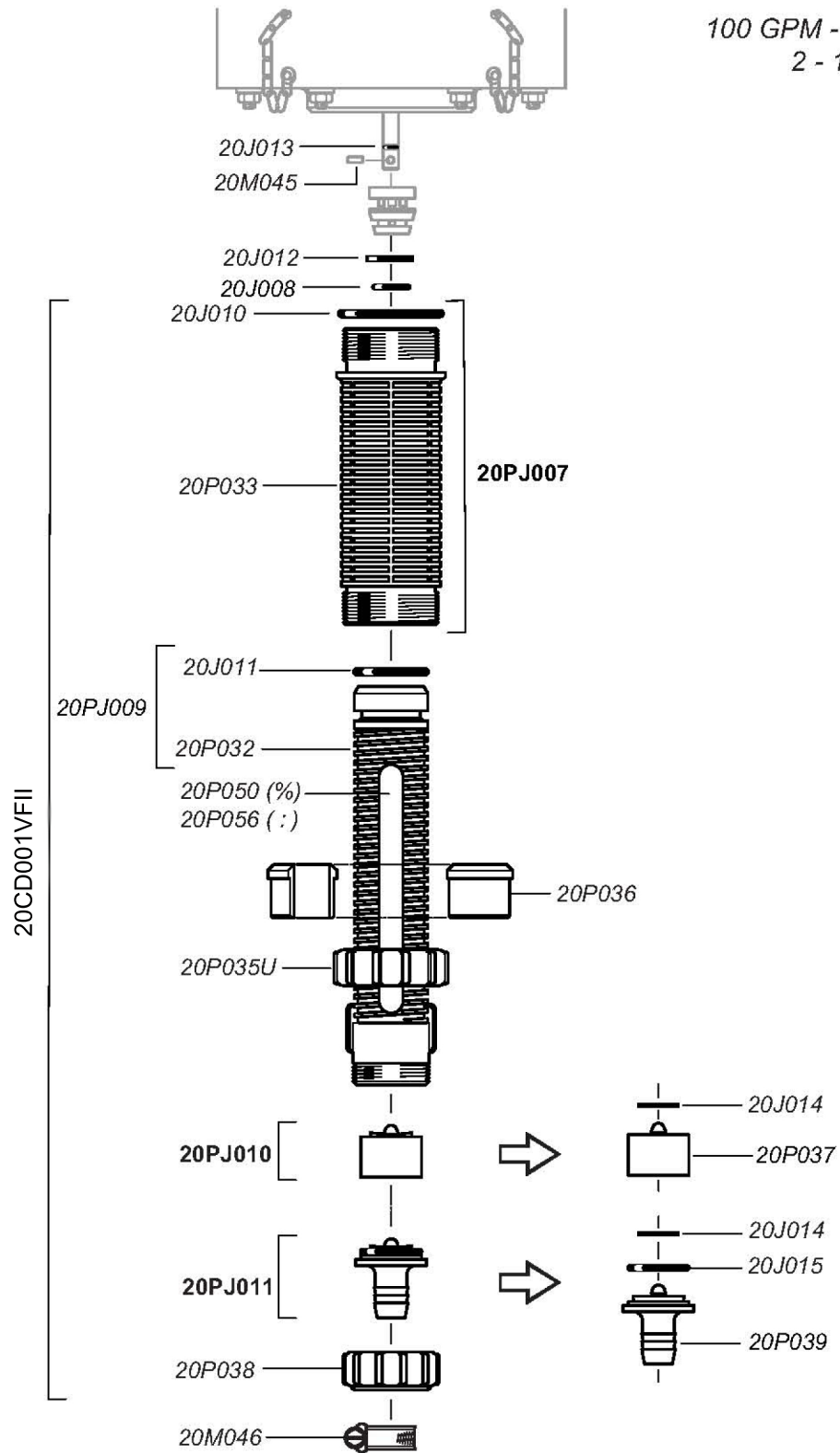
D20S
11/03

100 GPM - 1:500 - 1:50
2 - 120 psi



D20S
11/03

100 GPM - 1:500 - 1:50
2 - 120 psi



D20S
11/03

100 GPM - 1:500 - 1:50
2 - 120 psi

