

ultimate washer

Ultimate Washer, Inc.
6701 Garden Rd, Unit 3
Riviera Beach, FL 33404
Tel: (866) 858-4982
www.ultimatewasher.com

Contact Name

Phone Number

Email Address

Burner Coils Spec Sheet Form

Fill-out the form below to help you identify the correct coil for your burner.

1. What brand?

2. What model?

3. Horizontal or vertical? Horizontal Vertical

4. Oil or Gas? Oil Gas

5. Outside diameter of housing (not sheet metal on coil)

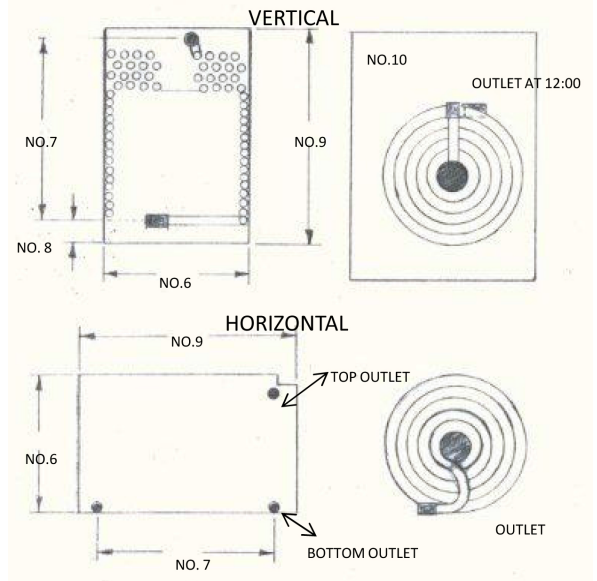
6. Outside diameter of coil

7. Center to center length on inlet and outlet

8. Length of combustion liner past inlet

9. Overall length of coil with metal jacket included

10. Position of inlet and outlet compared to one another



Please complete and return this form along with pictures (if available).
You can email it to info@ultimatewasher.com or fax it to (561) 741-2125.