



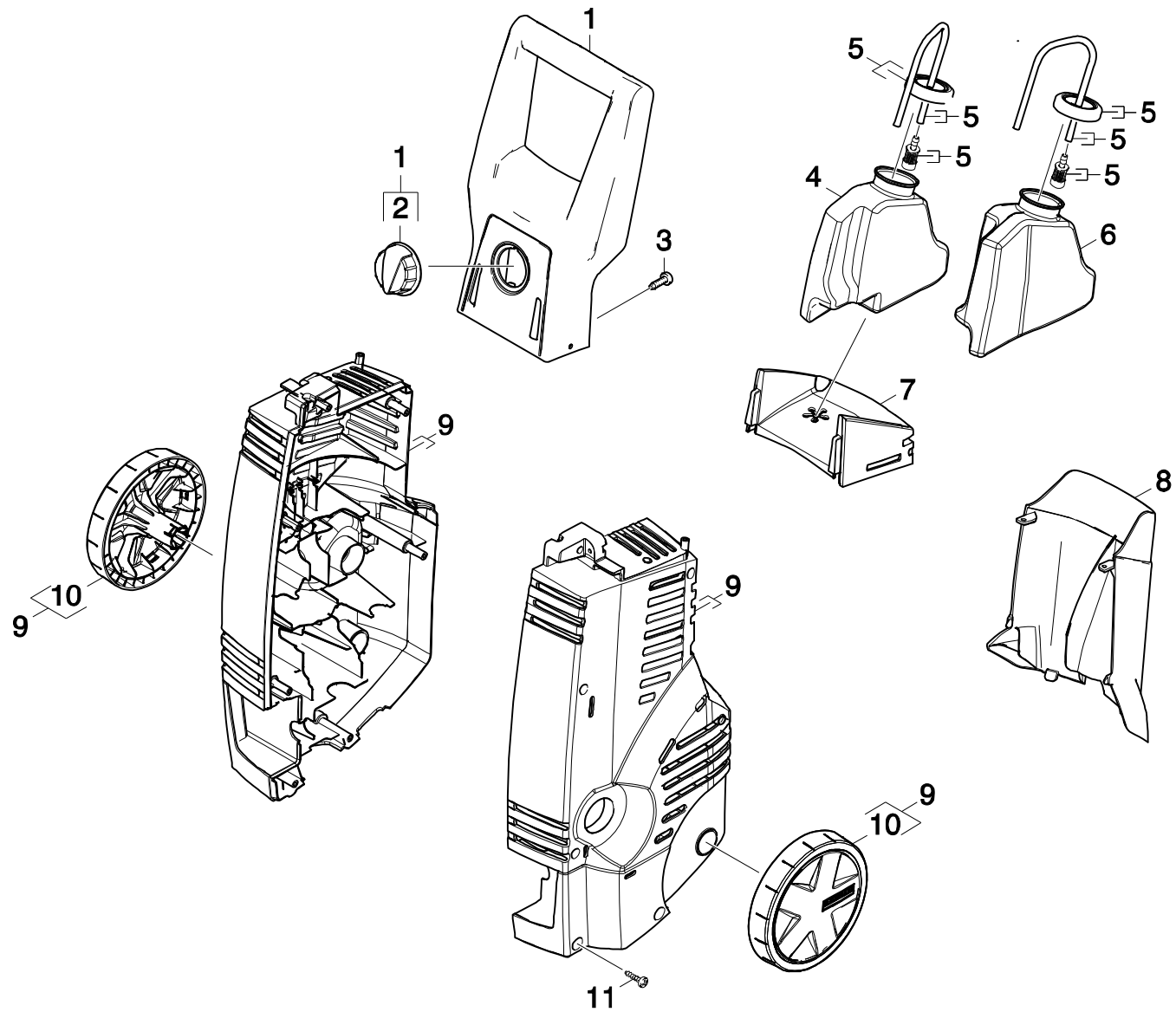
**Ersatzteilliste**  
**Spare Parts List**  
**Liste des pieces de rechange**

**1.423-854.0 K 3.92 M PLUS**

HOUSING



# HOUSING



**HOUSING**

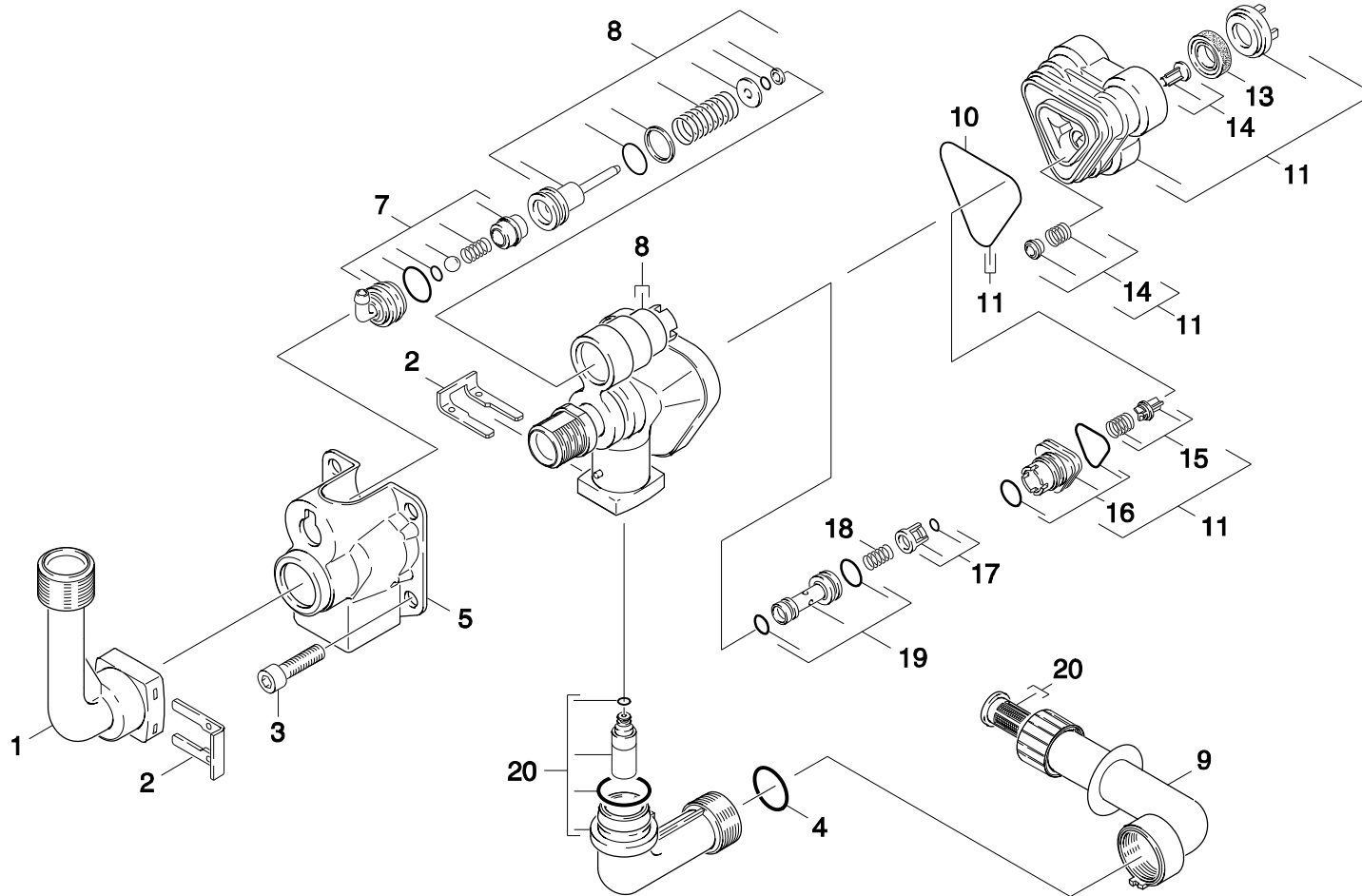
POS ITM. POS.	BENENNUNG DESCRIPTION DESIGNATION	TEILE-NR PART-NO NO. PIECE	STCK QTY. NBR	AB WERK-NR FROM SERIAL-NO TO SERIAL-NO	BIS WERK-NR
---------------------	---	----------------------------------	---------------------	---	-------------

0001	Hand grip complete	9.012-096.0	1,000		
0002	VALVE	4.580-000.0	1,000		
0003	Screw 4x22	9.086-203.0	2,000		
0004	Tank cleaning agents right	9.037-167.0	1,000		
0005	FILTER KPL.	9.011-711.0	1,000		
0006	Tank cleaning agents left	9.037-166.0	1,000		
0007	Holder tank	9.037-149.0	1,000		
0008	Holder accessories rear	9.037-151.0	1,000		
0009	Housing	9.001-333.0	1,000		
0010	Pair of wheels (Set of 2 Pieces)	9.001-385.0	1,000		
0011	SCREW	9.086-173.0	7,000		

PUMP-SET



# HOUSING

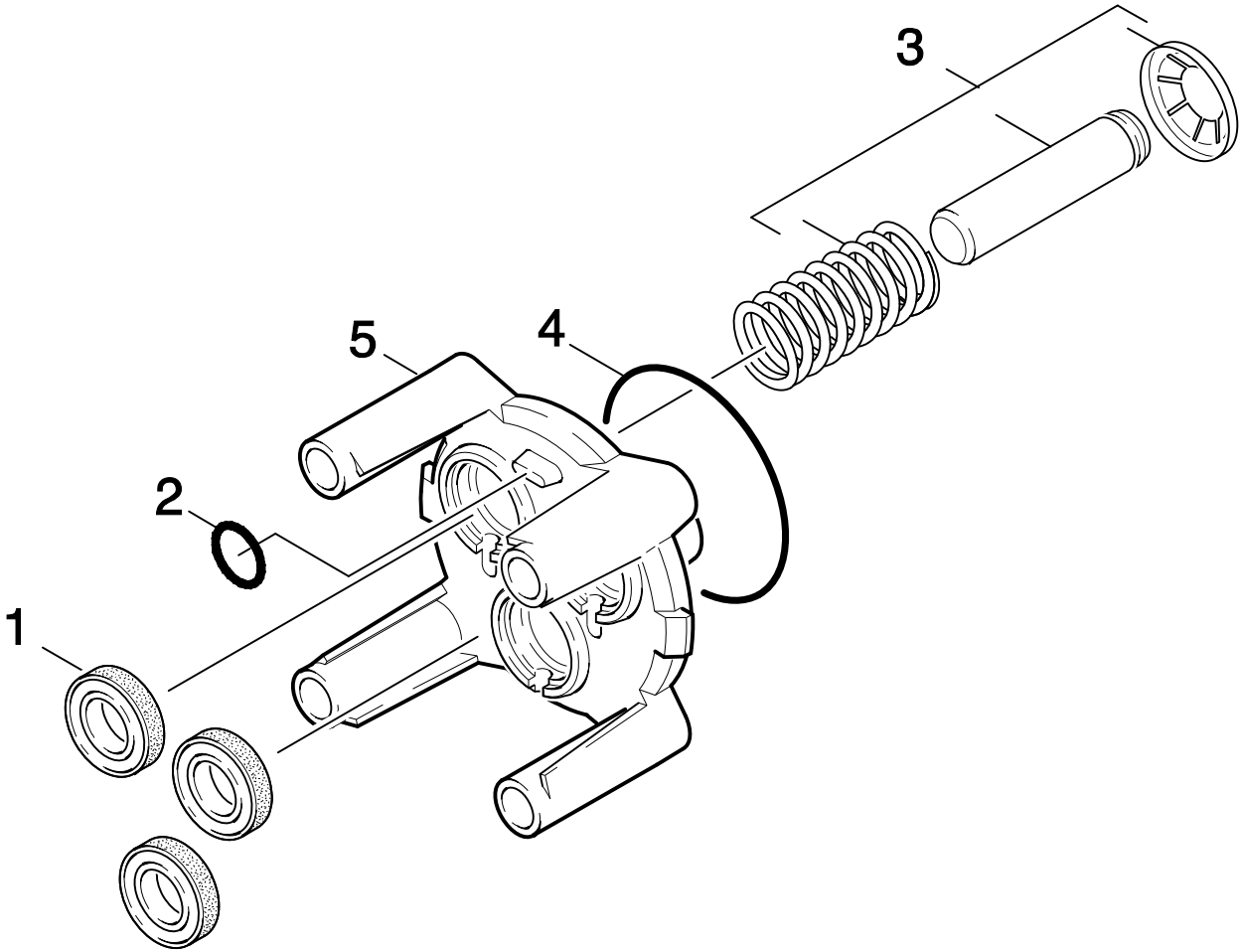


**HOUSING**

POS ITM. POS.	BENENNUNG DESCRIPTION DESIGNATION	TEILE-NR PART-NO NO. PIECE	STCK QTY. NBR	AB WERK-NR FROM SERIAL-NO TO SERIAL-NO	BIS WERK-NR
---------------------	---	----------------------------------	---------------------	---	-------------

0001	Connection delivery side	9.036-703.0	1,000		
0002	COVER	9.039-148.0	2,000		
0003	SCREW	9.086-200.0	4,000		
0004	O-RING	9.081-421.0	1,000		
0005	PUMP FLANGE	9.039-166.0	1,000		
0007	RM ANSAUGUNG	9.011-285.0	1,000		
0008	ET-SET	9.001-216.0	1,000		
0009	Suction connection	9.011-889.0	1,000		
0010	FORM O-RING	9.081-422.0	1,000		
0011	ET-Set Zylinderkopf	9.001-215.0	1,000		
0013	GROOVED RING	6.362-875.0	3,000		
0014	MOULDED PART	9.001-110.0	3,000		
0015	VENTILSET	9.001-149.0	1,000		
0016	JOINING PIECE	9.001-106.0	1,000		
0017	CAGE	9.001-107.0	1,000		
0018	SPRING	9.047-026.0	1,000		
0019	INJECTOR	9.001-108.0	1,000		
0020	Spare part set suction side	9.001-310.0	1,000		

THRUST GUIDANCE





**THRUST GUIDANCE**

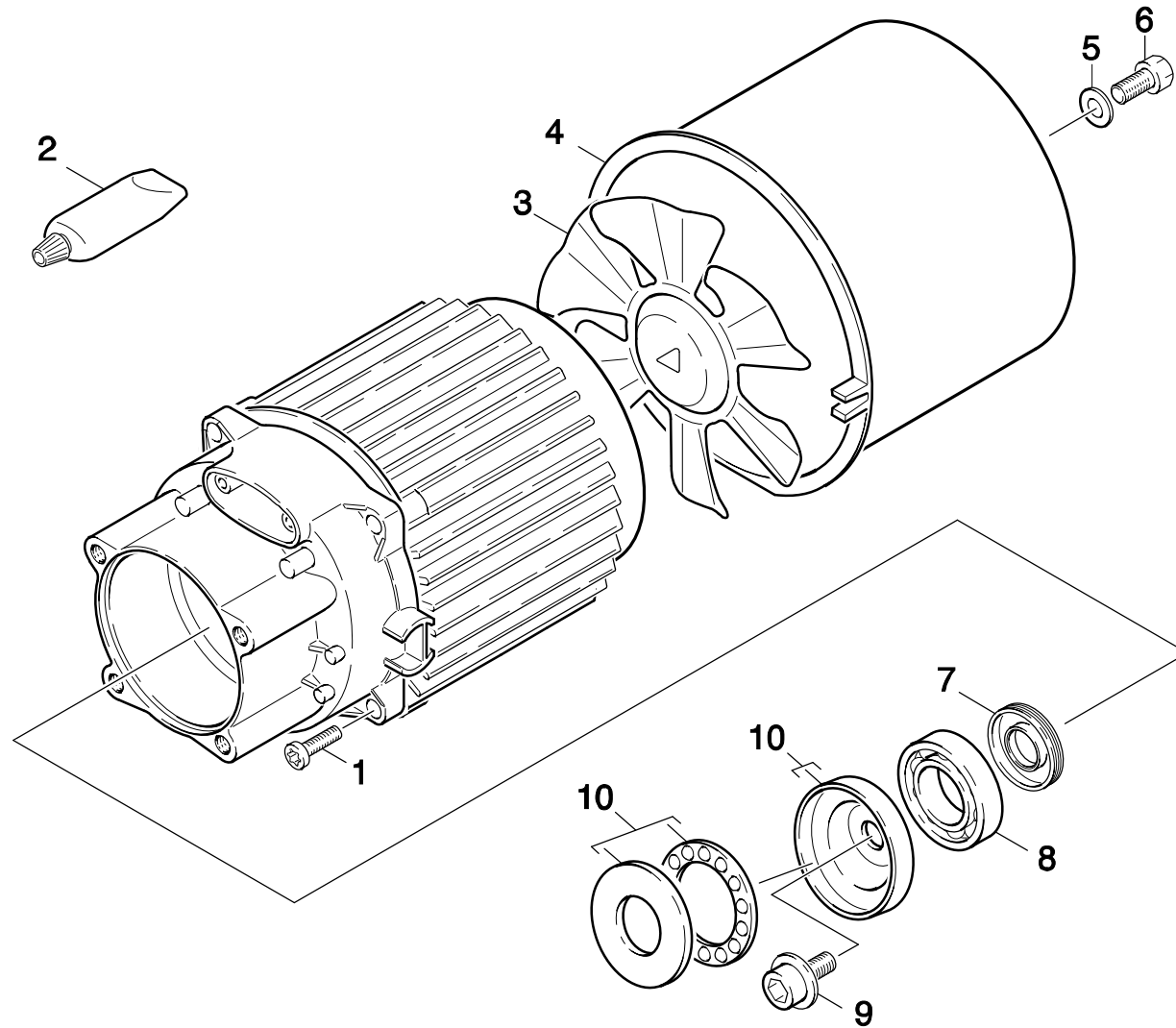
POS ITM. POS.	BENENNUNG DESCRIPTION DESIGNATION	TEILE-NR PART-NO NO. PIECE	STCK QTY. NBR	AB WERK-NR FROM SERIAL-NO TO SERIAL-NO	BIS WERK-NR
---------------------	---	----------------------------------	---------------------	---	-------------

0001	SEAL	6.964-026.0	3,000		
0002	ROUND CORD RING	6.362-101.0	1,000		
0003	Piston completely	9.001-320.0	3,000		
0004	GASKET	6.362-826.0	1,000		
0005	PISTONGUIDE	9.042-035.0	1,000		

MOTOR



MOTOR



**MOTOR**

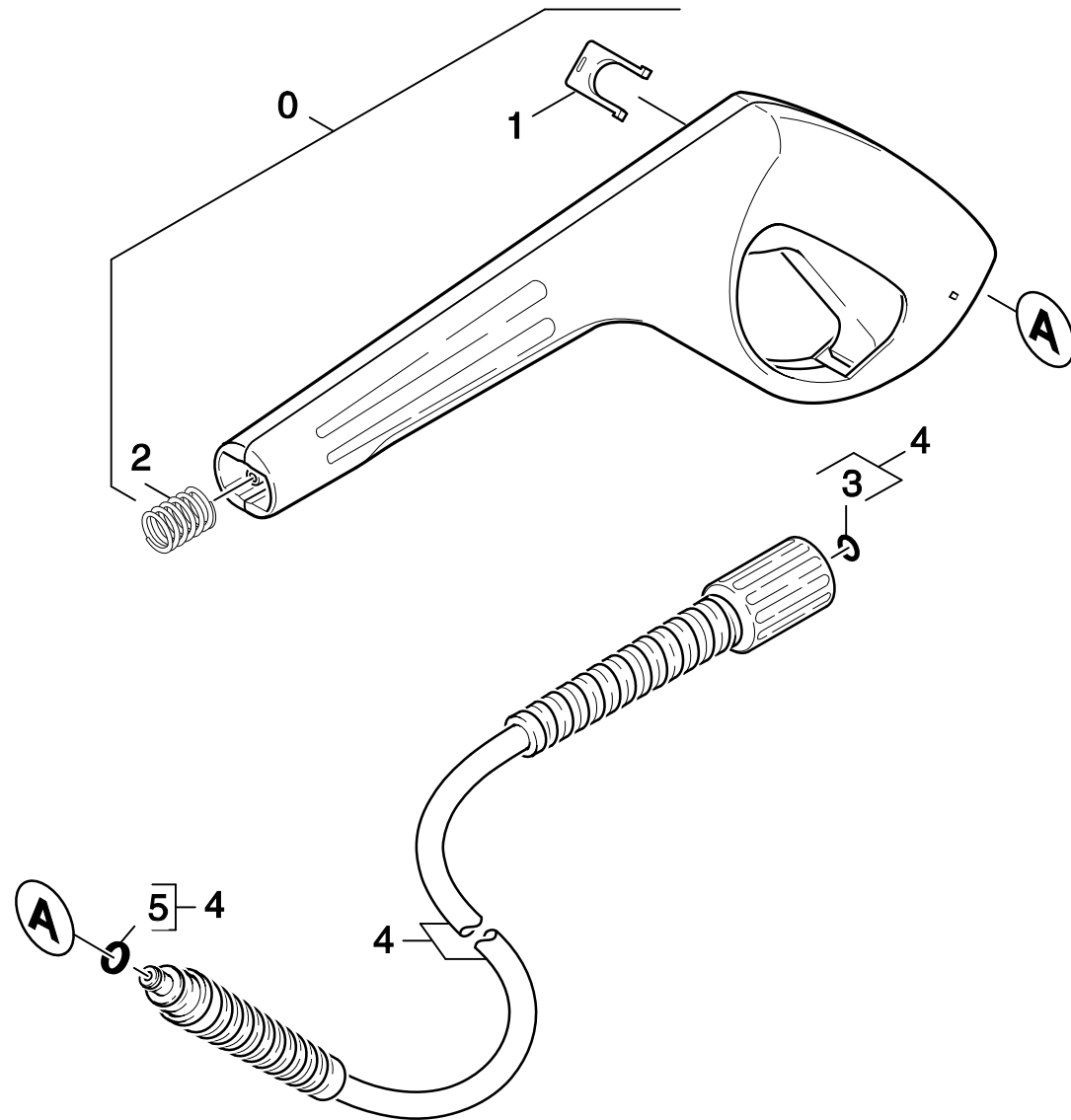
POS ITM. POS.	BENENNUNG DESCRIPTION DESIGNATION	TEILE-NR PART-NO NO. PIECE	STCK QTY. NBR	AB WERK-NR FROM SERIAL-NO TO SERIAL-NO	BIS WERK-NR
---------------------	---	----------------------------------	---------------------	---	-------------

0001	CYLINDER HEAD KPL.	9.086-153.0	4,000		
0002	GREASE (50ML)	6.964-092.0	1,000		
0003	MOTOR FAN	9.039-188.0	1,000		
0004	HOUSING	6.964-090.0	1,000		
0005	Serrated lock washer	7.312-233.0	1,000		
0006	Hexagonal head screw	7.304-395.0	1,000		
0007	Shaft Join Ring	9.078-007.0	1,000		
0008	BALL BEARING	7.401-010.0	1,000		
0009	SCREW	9.086-169.0	1,000		
0010	Swash plate	9.001-302.0	1,000		

**ACCESSORIES**



TRIGGER GUN

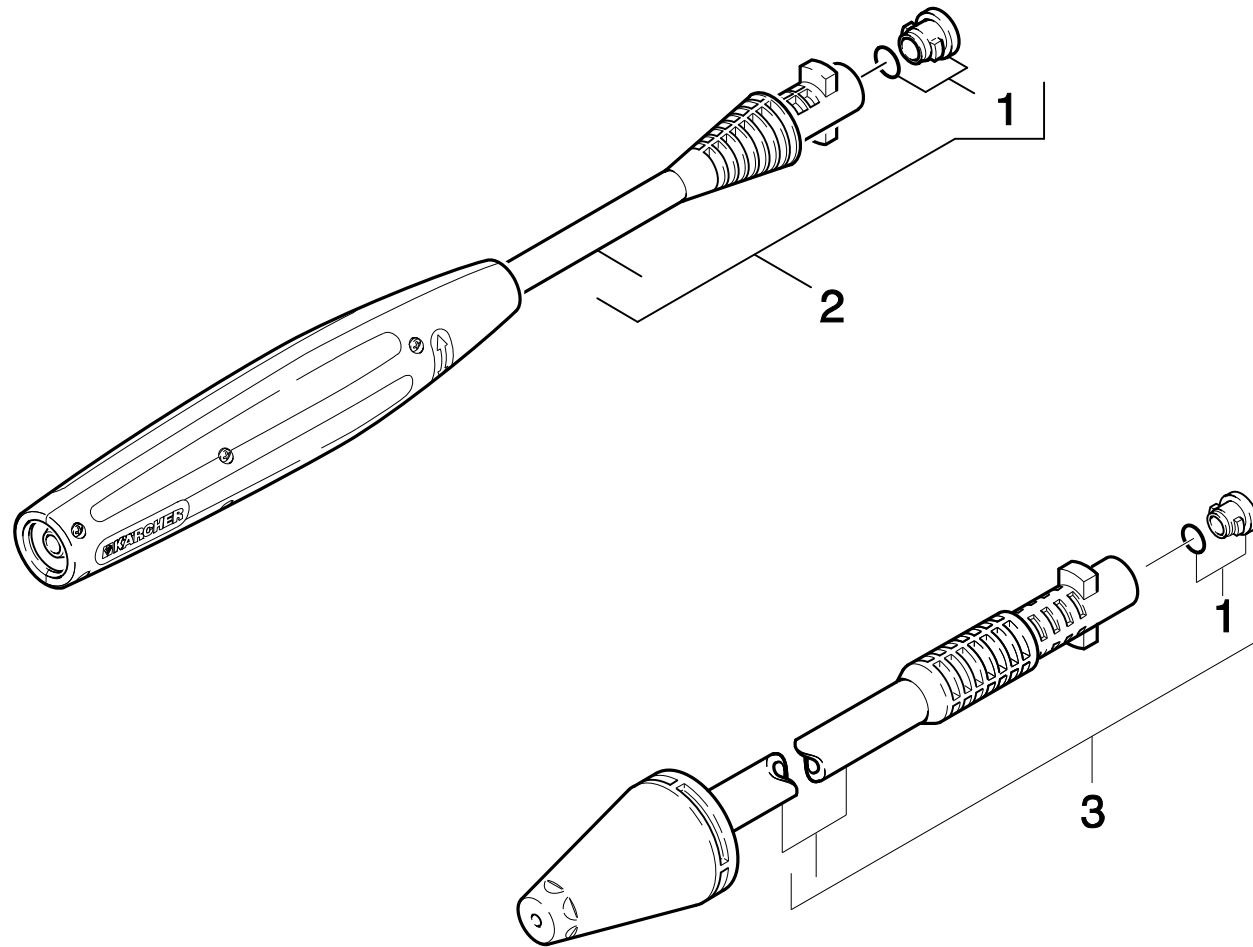


**TRIGGER GUN**

POS ITM. POS.	BENENNUNG DESCRIPTION DESIGNATION	TEILE-NR PART-NO NO. PIECE	STCK QTY. NBR	AB WERK-NR FROM SERIAL-NO TO SERIAL-NO	BIS WERK-NR
---------------------	---	----------------------------------	---------------------	---	-------------

0000	PISTOL	4.775-389.0	1,000		
0001	CLAMP	5.037-137.0	1,000		
0002	PRESSURE SPRING	5.332-464.0	1,000		
0003	KIT	2.880-296.0	1,000		
0004	HOSE	6.390-499.0	1,000		
0005	GASKET	6.363-198.0	1,000		

JET-PIPE





**JET-PIPE**

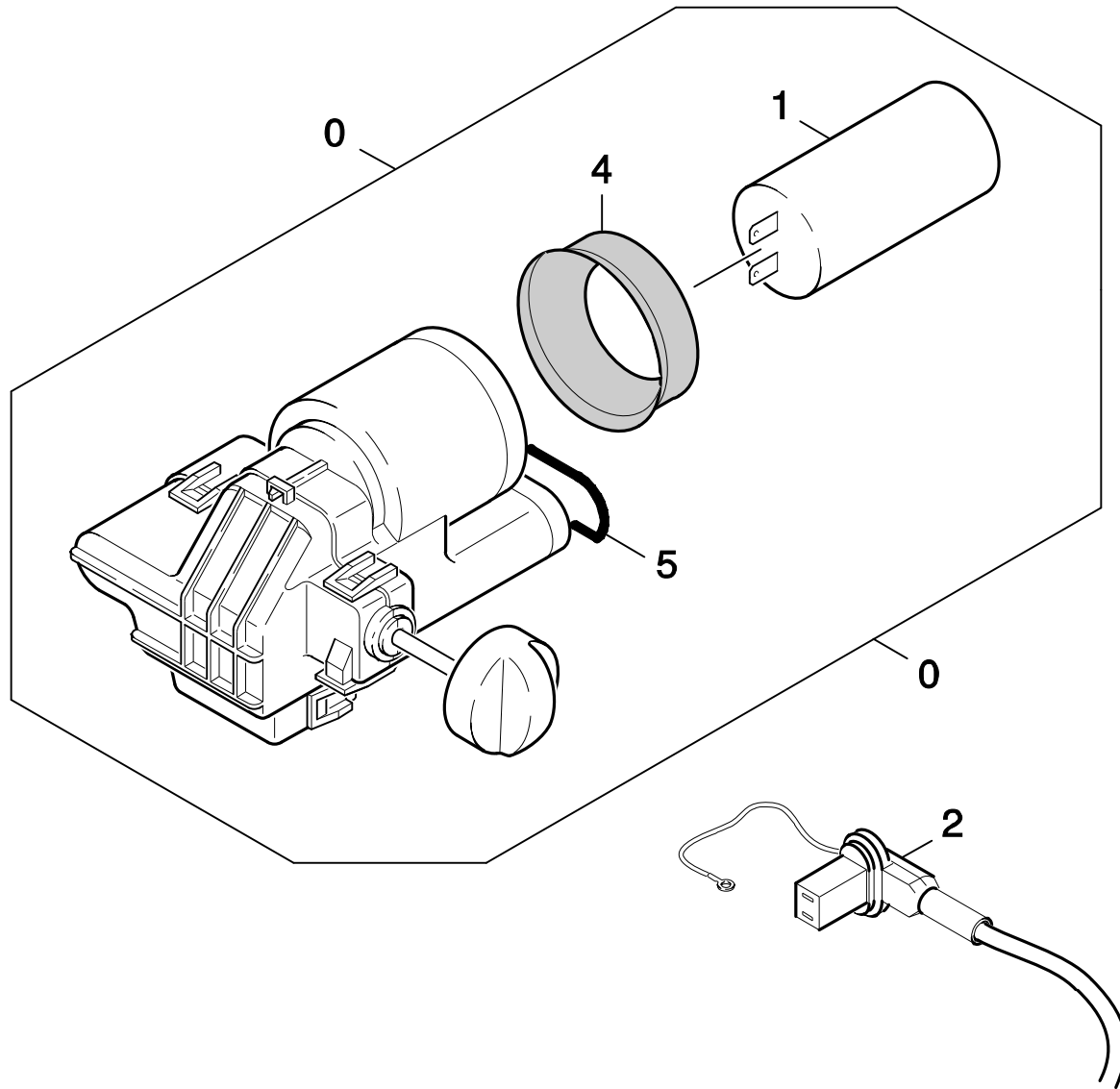
POS ITM. POS.	BENENNUNG DESCRIPTION DESIGNATION	TEILE-NR PART-NO NO. PIECE	STCK QTY. NBR	AB WERK-NR FROM SERIAL-NO TO SERIAL-NO	BIS WERK-NR
---------------------	---	----------------------------------	---------------------	---	-------------

0001	GASKET	2.640-729.0	1,000		
0002	VPS K3 0225	4.760-575.0	1,000		
0003	ROTARY NOZZLE	4.763-986.0	1,000		

ELECTRIC BOX



ELECTRIC BOX



**ELECTRIC BOX**

POS ITM. POS.	BENENNUNG DESCRIPTION DESIGNATION	TEILE-NR PART-NO NO. PIECE	STCK QTY. NBR	AB WERK-NR FROM SERIAL-NO TO SERIAL-NO	BIS WERK-NR
---------------------	---	----------------------------------	---------------------	---	-------------

0000	ELECTRIC BOX	9.012-055.0	1,000		
0001	CAPACITOR 60MUEF	6.661-196.0	1,000		
0002	CABLE	9.084-119.0	1,000		
0004	GASKET	9.080-421.0	1,000		
0005	O-RING	9.081-417.0	1,000		